



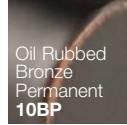
Yale Real Living[®] Canadian Price Book

September 1, 2017

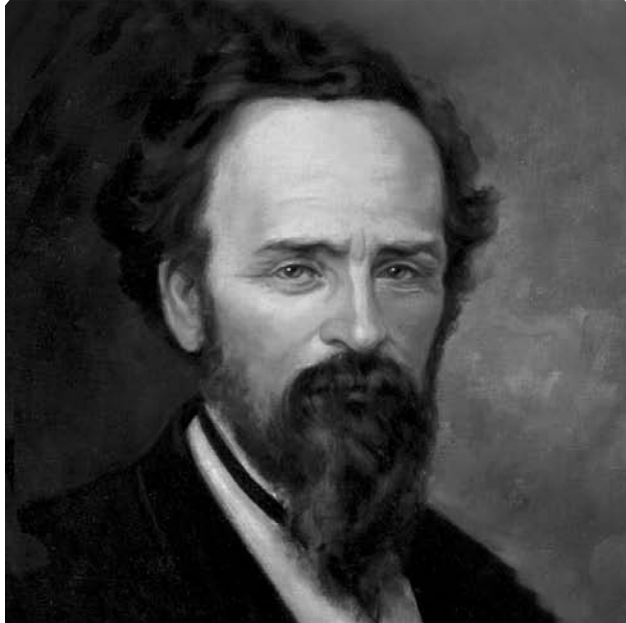


Yale® Designer Finishes

Please check each product's specifications for availability.



A Complete Range Of Products Set Forth By Linus Yale In 1840



Yale Locks & Hardware is committed to offering a complete range of residential products of exceptional value. Yale Real Living, the next generation of electronic residential locks and digital door viewers from Yale, provides versatility and convenient access. The fine details of engineering refinement in our mechanical product lines are reflected in the Grade 2 YH Collection from Yale, New Traditions from Yale, with its astounding affordability in Grade 3 hardware, to our most competitive edge – Yale Edge Series. For excellent consistency, performance and lasting beauty, look to Yale for residential locksets with features unmatched in hardware.

Contents

Terms of Sale Ordering Information 4

Yale Real Living®

Assure Lock® 6
Assure Lock® with Bluetooth® 10
Assure Lock® SL 14
Assure Lock® Levers 18
Keyless Entry Lever Locks 22
B1L and T1L Locks 26
Look Door Viewer® 30
Digital Door Viewers 33
Assure Lock® Interconnected 37

Mounts 9,13,17,21,29

Yale® Terms and Conditions of Sale

Acceptance:

ASSA ABLOY Door Security Solutions Canada, a division of ASSA ABLOY Canada Ltd. and all of its current and future associated companies, subsidiaries and operating brands reserve the right to decline an order, in whole or in part, when the type or quantity of goods or credit worthiness of the Purchaser is not satisfactory to us in our sole and absolute discretion.

The terms and conditions contained herein constitute the entire agreement between the parties.

Purchase Orders, Quotations ("Quote") requests, Acknowledgements or the like issued by the Purchaser that have contrary standard terms and conditions are not binding on ASSA ABLOY Door Security Solutions Canada, unless such terms and conditions are approved in a separate written agreement by ASSA ABLOY Door Security Solutions Canada's authorized representatives. In the event of an acceptance of Purchaser's Purchase Order by ASSA ABLOY Door Security Solutions Canada, the Purchaser agrees that such acceptance is solely conditioned on Purchaser's acceptance of the terms and conditions set forth in this instrument, regardless of the terms and conditions specified in the Purchaser's Purchase order. The terms and conditions in Purchaser's Purchase Order which conflict with terms and conditions of this instrument shall be disregarded and are hereby rejected, and this instrument shall constitute the entire agreement between ASSA ABLOY Door Security Solutions Canada and the Purchaser. In the event that ASSA ABLOY Door Security Solutions Canada does not enforce or require strict performance of any term or condition hereof, or of any other document, instrument or other agreement relating to goods sold, such lack of enforcement or requirement of strict performance will not waive, affect or diminish any right of ASSA ABLOY Door Security Solutions Canada to enforce or require strict performance of such term or condition in the future.

Prices:

All prices are subject to change without notice and are not guaranteed. All shipments will be made at prices in effect at the time of order acceptance. Possession of this price list does not constitute an agreement to sell. Acknowledgements, invoices and quotations are on an "Errors and Omissions Excepted" basis (commonly referred to as E.O.E.). We reserve the right to correct clerical, stenographic and other obvious errors at any time.

Agreed Payments and Terms:

1% tenth of the following month, Net 30th of the following month. It is understood that ASSA ABLOY Door Security Solutions Canada may impose and charge a finance charge of 2% per month or the highest rate allowed by law on any amount which becomes past due and delinquent. Additionally, the Customer shall be responsible for all collection costs, court costs and reasonable attorney's fees in connection with the recovery of any delinquent amount.

Minimum Invoice:

Minimum invoice for complete product is \$250.00 net product value. The minimum invoice for parts orders is \$100.00 net product value. Any orders not totaling these minimums will be invoiced at the minimums. This policy does not include the following: Cut (bitted) Keys of any type, Master Keyed Cylinders, Master Keyed Padlocks and Factory Generated Bitting Lists. Same day order expedites will be invoiced at book less 50%.

Quotations:

If ASSA ABLOY Door Security Solutions Canada elects to offer a quote, such quote will be valid until the expiration date on that quote. Complete shipment of the order must be accepted by Purchaser within standard lead times.

The QUOTE number must be referenced on the order. Any invoiced order that has the incorrect discount applied to it and did not have the QUOTE number written on the order will have a service fee of \$100.00 net DEDUCTED from any sales credit issued for the difference in discount.

The quote is null and void if the Purchase Order does not include ALL product lines listed on the Quote or if the quantities for an item covered by the Quote deviate by 10% or more. The Purchaser will have to solicit a new quotation. With the issuance and acceptance of a QUOTE for the purchase of products, the Purchaser agrees that products so purchased will not be resold or transferred to

any Distributor not authorized by ASSA ABLOY Door Security Solutions Canada to sell its products. This would be inclusive of branches of the quoted Distributor. Failure to abide by this restriction may result in the Distributor's ineligibility for Quotes, or other actions in ASSA ABLOY Door Security Solutions Canada's discretion.

ASSA ABLOY Door Security Solutions Canada and its sales representatives reserve the right, in their sole discretion and for any reason, to refuse a Distributor's request to quote a price other than ASSA ABLOY Door Security Solutions Canada's standard list price and regardless of whether ASSA ABLOY Door Security Solutions Canada or its sales representatives have previously quoted discounted prices to the Distributor on some or all of its orders.

Special Orders:

Products not catalogued or listed in this price book will be considered as special products, and will not be manufactured without prior approval from ASSA ABLOY Door Security Solutions Canada.

A minimum special handling charge of \$50.00 will be added for non catalogued product. Any additional labour or material required will be charged accordingly. Special products require special handling, and therefore standard lead times may not apply. Please consult with your Sales Representative for further details.

High Security Orders:

To ensure proper control of End User restricted Products, ASSA ABLOY Door Security Solutions Canada requires that the End User complete a Delivery of Controlled component form indicating to whom the product will be shipped to upon leaving the factory or the distribution centre.

All orders must be accompanied with a current copy of the Authorization form and must be signed by the proper authorized personnel whose name(s) is on file with ASSA ABLOY Door Security Solutions Canada.

High Security products are defined as high security key blanks, cut keys, sidebars, sub assemblies, complete and master-keyed cylinders, and key charts. ASSA ABLOY Door Security Solutions Canada reserves the right to request authorization from the end user if necessary before the order is processed.

Changes / Cancellation of Orders:

Changes or cancellations to a non stock order that has been released to production will be subject to a charge of costs for material and labour expenses that have been incurred prior to notification from Customer. Handling charges are billed on Customer's original order.

All change requests for Mercury or Turbo goods must be submitted in writing to Customer Service within two (2) business days of receipt of acknowledgement of the order. In those instances where a cancellation is accepted, ASSA ABLOY Door Security Solutions Canada reserves the right to make a reasonable cancellation charge based on expenses incurred.

Packaging:

Many items are defined as to Case Lot Packaging or Minimum Order. The case lot policy does not apply to hardware to be used on a specific hardware project.

Delivery:

Orders will be acknowledged and given a scheduled delivery date based on estimated manufacturing lead times. Complete information is required to process all orders. Orders with insufficient information for processing (i.e. keying information, door sizes, etc.) may be subject to extended lead times which are relative to the time required in obtaining the necessary information for order processing. Manufacturing lead time will begin once all information is received to process an order. ASSA ABLOY Door Security Solutions Canada will use reasonable efforts to deliver products as estimated, but makes no guarantee as to delivery dates.

ASSA ABLOY Door Security Solutions Canada will not be liable for back charges incurred based on availability of product or as a result of delays in delivery caused by insufficient information required to process an order.

ASSA ABLOY Door Security Solutions Canada will not be held responsible for delays in delivery caused by strikes, fires, floods or any other causes beyond our control, including the delivery of material to us. Under no circumstances

Yale® Terms and Conditions of Sale

shall ASSA ABLOY Door Security Solutions Canada be liable or accountable for consequential damages due to failure of delivery. Unless your order specifies otherwise, partial shipments will be made on or after the scheduled delivery date.

Terms of Shipment:

All products are shipped FOB the factory or the distribution centre unless otherwise agreed to in writing from ASSA ABLOY Door Security Solutions Canada. Title to and risk of loss product shipped is the responsibility of the purchaser and delivery is deemed to be complete upon transfer of the product to a common carrier. Carriers carry limited insurance. If the customer requires additional insurance coverage please contact our customer service department. All claims for shortages and damage are the responsibility of the purchaser. ASSA ABLOY Door Security Solutions Canada will assist the Purchaser with documentation necessary to make a claim if requested to do so by the purchaser.

ASSA ABLOY Door Security Solutions Canada will ship via the best possible carrier. Shipments at the customer's request will be prepaid and any up-charge (actual cost less the amount negotiated by ASSA ABLOY Door Security Solutions Canada) will be added to the invoice.

Claims:

In the event of ASSA ABLOY Door Security Solutions Canada or Customer error, claims for shortages, pricing errors and/or incorrectly filled orders must be submitted in writing to Customer Service within thirty (30) days from receipt of material.

Any claims for shortages or damage by the Carrier must be made by the Customer directly to the Carrier.

Limited Carrier insurance is typically offered for all orders. If the Customer requires additional insurance, please contact a ASSA ABLOY Door Security Solutions Canada Customer Service Representative upon submittal of the order. ASSA ABLOY Door Security Solutions Canada will obtain requested insurance and the additional cost will be included on Customer's invoice.

Invoice Deduction:

A ASSA ABLOY Door Security Solutions Canada Sales Representative or Customer Service Representative must be notified of any disputed invoices within thirty (30) days from the date of invoice. Deductions should only be taken for the disputed amount and the balance of the invoice is due and payable within standard payment terms.

Returned Goods:

No Material is to be returned to our facilities without prior written approval from customer service. It is the policy of ASSA ABLOY Door Security Solutions Canada to not accept returns of any materials that are correctly furnished as per the Distributor's Purchase Order.

Mercury and Turbo material may be returned with approval, if ASSA ABLOY Door Security Solutions Canada believes the product is resalable. All such product must be returned in its original unmarked carton. The goods must have been shipped and invoiced in the previous sixty (60) days. Returns will be at the distributor's expense. The goods returned will be subject to inspection and a minimum 20% restocking fee will be applied to compensate for the cost of inspection, repacking and handling.

Return of product due to customer order error or accommodation must be prearranged with ASSA ABLOY Door Security Solutions Canada and approved in writing by Sales Management. A minimal restocking fee of 50% will be charged. Upon receipt and verification by ASSA ABLOY Door Security Solutions Canada that the returned merchandise is in saleable condition and that the material can be returned to the original manufacturer.

Defective goods that are out of warranty period will not be accepted for return. Products that are master-keyed, special orders, key bitted will not be accepted under any circumstances, unless the product is determined to be defective.

Procedure:

Ensure the RGA labels that are sent to Purchaser by ASSA ABLOY Door Security Solutions Canada are visible on return goods shipment. Ensure that the RGA number appears on the return shipment label and is legible. Return the authorized merchandise within sixty (60) days from the date of RGA issuance. Return shipments must be freight prepaid to the distribution centre (at time some directions may apply to return the goods to the original manufacturer) ASSA ABLOY Door Security Solutions Canada is not liable for damages to product during shipping. No credit may be taken or issued prior to RGA approval and receipt of product. All defective goods within the terms of our limited warranty may be returned for repair or replacement only.

Taxes:

Prices do not include any present or future Federal, Province, or Local property, license, privilege, sales, use, excise, gross receipts or other like taxes or assessments, which may result from transactions or any services performed in connection herewith.

Governing Law:

The rights and obligations of the parties shall be governed by the laws of the Province of Ontario, excluding any conflicts of law provisions. The United Nations Convention on Contracts for the International Sale of Goods shall not apply to this Agreement.

Indemnity:

Purchaser shall indemnify ASSA ABLOY Door Security Solutions Canada and hold ASSA ABLOY Door Security Solutions Canada harmless against all claims, liability, loss or other damages (including costs, legal or otherwise incurred by ASSA ABLOY Door Security Solutions Canada) to all persons for injury of any nature, including sickness and/or death, property damage at the time of delivery or after when the product is no longer in ASSA ABLOY Door Security Solutions Canada possession or control.

Force Majeur:

ASSA ABLOY Door Security Solutions Canada shall not be liable for its failure to perform due to any contingencies beyond its control, including but not limited to acts of God, fires floods, wars, sabotage, accidents, labour disputes, shortages, government laws, ordinances, rules and regulations. ASSA ABLOY Door Security Solutions Canada shall not be liable for its failure to deliver due to its inability to obtain materials, equipment failure, labour actions, transportation issues or any similar contingencies.

In the event of delays due to the aforementioned contingencies, the date of delivery will be postponed by such length of time as the circumstances dictate.

Copyrights and Patents:

All products in ASSA ABLOY Door Security Solutions Canada catalogues, brochures and price lists are either patented, Copyrighted or registered by ASSA ABLOY Door Security Solutions Canada.

Customer Service:

Yale Locks & Hardware, Customer Service Department
160 Four Valley Drive, Vaughan, Ontario L4K 4T9,
Tel 1-800-461-3007, Fax 1-800-461-8989.



Yale Real Living® Assure Lock®

Assure Lock Push Button Deadbolt
YRD216



Assure Lock Touchscreen Deadbolt
YRD226



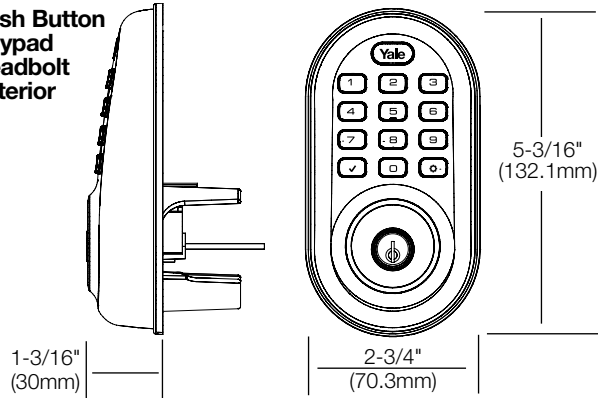
Assure Lock Key Free Touchscreen Deadbolt
YRD246



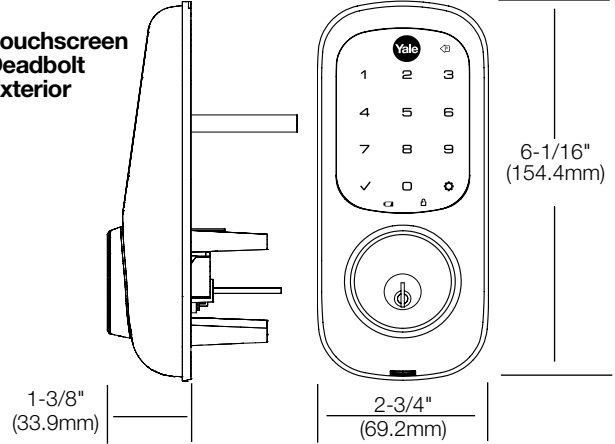
Yale Real Living Assure Lock deadbolts provide versatility and convenience for securing your home. The locks can operate as standalone electronic deadbolts or be upgraded with a Z-Wave, Zigbee or iM1 Network Module to work with your smart home.

- Create up to 250 unique pin codes to share with friends and family (25 without a controller).
- Keypads wake with a touch and feature backlit numbers that won't wear off.
- Key free model features a 9V battery terminal for emergency charging.
- Available Network Modules include Z-Wave, Zigbee and iM1 (HomeKit-enabled).
- When upgraded with a Yale Network Module:
 - Enroll with most home automation and alarm systems with just the push of a button.
 - Lock and unlock with Siri® voice commands or from your iPhone, iPad or iPod touch with the Yale iM1 Network Module.
 - Lock and unlock remotely, view access history and share access rights from your smartphone with most Z-Wave and Zigbee systems.

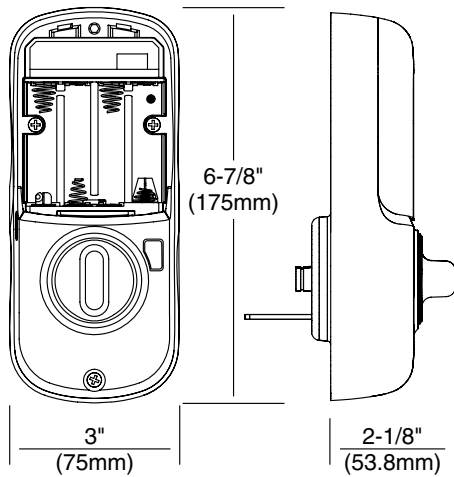
Push Button Keypad Deadbolt Exterior



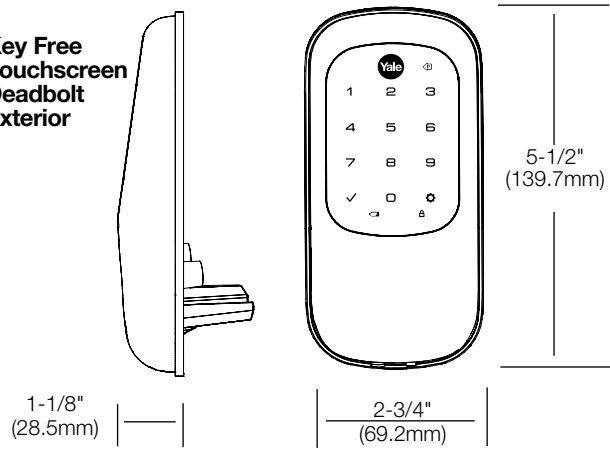
Touchscreen Deadbolt Exterior



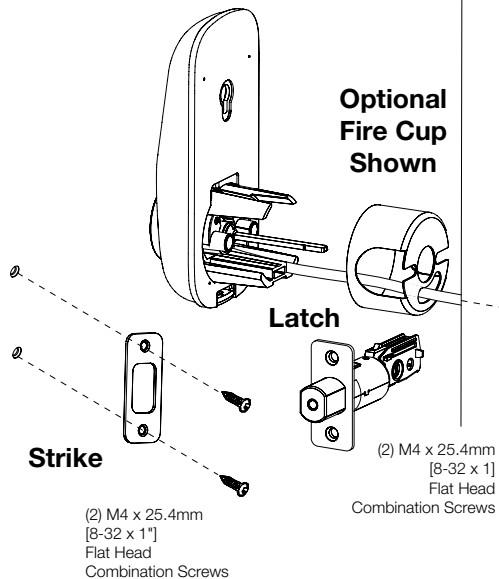
Push Button & Touchscreen Interior
shown with battery cover removed



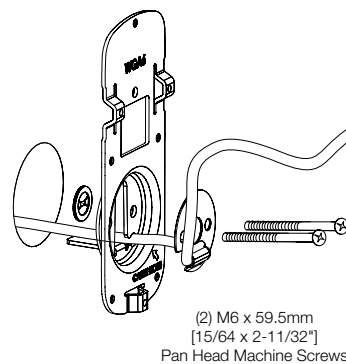
Key Free Touchscreen Deadbolt Exterior



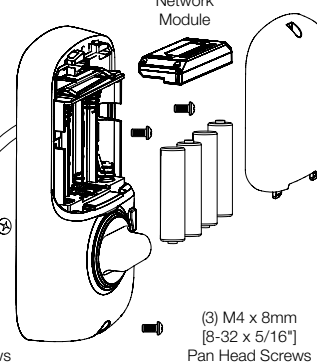
Outside Escutcheon



Inside Mounting Plate



Inside Escutcheon



Contact Support
1-855-213-5841 support@yalelock.com

Yale Real Living® Assure Lock®





Functions

NO.	DESCRIPTION
YRD216	SINGLE CYLINDER PUSH BUTTON DEADBOLT: Latch operated from outside by electronic keypad interaction, or outside by key, inside by T turn.
YRD226	SINGLE CYLINDER TOUCHSCREEN DEADBOLT: Latch operated from outside by electronic touchscreen interaction, or outside by key, inside by T turn.
YRD246	KEY FREE TOUCHSCREEN DEADBOLT: Latch operated from outside by electronic touchscreen interaction, or inside by T turn. Use a 9V battery backup on the outside as a override in case the batteries die.

Standard Case Quantities

	Box Pack
Push Button Deadbolt	6
Touchscreen Deadbolt	6
Key Free Touchscreen Deadbolt	6

Product Specifications

Door Specs	2 1/8" Face Bore, 1" Edge Bore 2 3/8" or 2 3/4" Backset
Door Thickness	1 3/8" to 2 1/4" *Yale thin door gasket converts 1 3/8" door to a proper thickness for deadbolt lock installation 1 3/4" to 2 1/4" Key Free
Strike	1" x 2 1/4" RC (Round Corner)
Latch	2 3/8" or 2 3/4" Adjustable
Latch Faceplate	1" x 2 1/4" RC (Round Corner)
Keyway	Standard: Yale KW-1 5 Pin Brass Cylinder Optional: SC-1 5 Pin Brass Cylinder
Keys*	Quantity: 2 *Key Free - No Keys
Keying*	Standard: KD (Keyed Different) Optional: KA (Keyed Alike) *Key Free - No Keying
Certified ANSI/BHMA	A156.36 Grade 2 
Temperature Range	Outside Temperature Range: -30°C to 60°C = -22°F to 140°F Inside Temperature Range: -15°C to 70°C = 5°F to 158°F Battery Temperature Range: -10°C to 55°C = 14°F to 131°F Storage Temperature Range: -40°C to 85°C = -40°F to 185°F
Communication Protocol	  Control4 and Crestron require unique network modules. 

Product Order String for Yale Real Living Assure Lock Deadbolts

Sample: YRD226-ZW2-619

Keypad Style	YRD216: Push Button Deadbolt Keypad YRD226: Touchscreen Deadbolt Keypad YRD246: Key Free Touchscreen Deadbolt Keypad
Network Module	NR: No Network Module (Standalone) ZW2: Z-Wave Network Module iM1: iM1 Network Module (HomeKit enabled) HA2: Zigbee Network Module* *Note: Control4 and Crestron require unique network modules.
Finish	619: Satin Nickel 0BP: (10BP) Oil Rubbed Bronze Permanent 605: Polished Brass
Cylinder	NOTE: ALL PRODUCTS SHIP WITH CYLINDER KWKD KWKD - Kwikset Keyway, multiple locks all keyed differently FOR OPTIONAL CYLINDERS - DESIGNATE AN ALTERNATIVE CYLINDER AS SECOND LINE ITEM KWKA - Kwikset Keyway, multiple locks all keyed alike SCKD - Schlage C keyway, multiple locks all keyed differently SCKA - Schlage C keyway, multiple locks all keyed alike

PRODUCT LIST PRICE

DESIGN	NO	US3 605	10BP	US15 619	MODULE
Push Button Deadbolt Standalone	YRD216	300.00	300.00	300.00	NR
Push Button Deadbolt Z-Wave	YRD216	390.00	390.00	390.00	ZW2
Push Button Deadbolt Zigbee*	YRD216	390.00	390.00	390.00	HA2
Push Button Deadbolt iM1	YRD216	390.00	390.00	390.00	iM1
Touchscreen Deadbolt Standalone	YRD226	375.00	375.00	375.00	NR
Touchscreen Deadbolt Z-Wave	YRD226	465.00	465.00	465.00	ZW2
Touchscreen Deadbolt Zigbee*	YRD226	465.00	465.00	465.00	HA2
Touchscreen Deadbolt iM1	YRD226	465.00	465.00	465.00	iM1
Key Free Touchscreen Standalone	YRD246	375.00	375.00	375.00	NR
Key Free Touchscreen Z-Wave	YRD246	465.00	465.00	465.00	ZW2
Key Free Touchscreen Zigbee*	YRD246	465.00	465.00	465.00	HA2
Key Free Touchscreen iM1	YRD246	465.00	465.00	465.00	iM1

*Not Control4 or Crestron compatible.

CYLINDER / ACCESSORY / REPLACEMENT PART LIST PRICE

DESCRIPTION	PART NO./LIST NO.	FINISH	LIST PRICE
Brass SC1-5-Pin & 2 Brass Keys, Tailpiece, High Stack, Deadbolt, KD, 26	AYRD200-SCKD-26	US26	14.10
Brass SC1-5-Pin & 2 Brass Keys, Tailpiece, High Stack, Deadbolt, KD, 03	AYRD200-SCKD-03	US3	14.10
Brass SC1-5-Pin & 2 Brass Keys, Tailpiece, High Stack, Deadbolt, KA, 26	AYRD200-SCKA-26	US26	14.10
Brass SC1-5-Pin & 2 Brass Keys, Tailpiece, High Stack, Deadbolt, KA, 03	AYRD200-SCKA-03	US3	14.10
Brass KW1-5-Pin & 2 Brass Keys, Tailpiece, High Stack, Deadbolt, KD, 26	AYRD200-KWKD-26	US26	14.10
Brass KW1-5-Pin & 2 Brass Keys, Tailpiece, High Stack, Deadbolt, KD, 03	AYRD200-KWKD-03	US3	14.10
Brass KW1-5-Pin & 2 Brass Keys, Tailpiece, High Stack, Deadbolt, KA, 26	AYRD200-KWKA-26	US26	14.10
Brass KW1-5-Pin & 2 Brass Keys, Tailpiece, High Stack, Deadbolt, KA, 03	AYRD200-KWKA-03	US3	14.10
Adjustable Drive-In Latch	AYRDB-DRIVE-26	US26	14.90
Thin Door Gasket Touchscreen I/S & O/S ESCUTCHEONS (2 PIECES)	AYRDT220-TS-GSK	Black	3.50
Thin Door Gasket Push Button I/S & O/S ESCUTCHEONS (2 PIECES)	AYRDT210-PB-GSK	Black	3.50
Touchscreen SFIC Cylinder Housing	AYRD220-1-605	US3	26.00
Touchscreen SFIC Cylinder Housing	AYRD220-1-0BP	US10BP	26.00
Touchscreen SFIC Cylinder Housing	AYRD220-1-619	US15	26.00
4 1/4" Wide Plexiglass YRL Mount	AYR-425-MNT		120.00
Deadbolt Para Cylinder, KD	AYRD200-PAKD-26	US26	26.00
Deadbolt Para Cylinder, KA	AYRD200-PAKA-26	US26	26.00
Deadbolt Para Cylinder, KD	AYRD200-PAKD-03	US3	26.00
Deadbolt Para Cylinder, KA	AYRD200-PAKA-03	US3	26.00



NOTE: The SFIC housing option is shipped less core. Small Format Interchangeable Cores can be ordered from the Yale Commercial Catalog. Yale Real Living cylinders are not Builder Key compatible.

Yale Real Living® Assure Lock® with Bluetooth®

Assure Lock Push Button with Bluetooth
YRD416



Assure Lock Touchscreen with Bluetooth
YRD426



Assure Lock Key Free with Bluetooth
YRD446



Yale Assure App

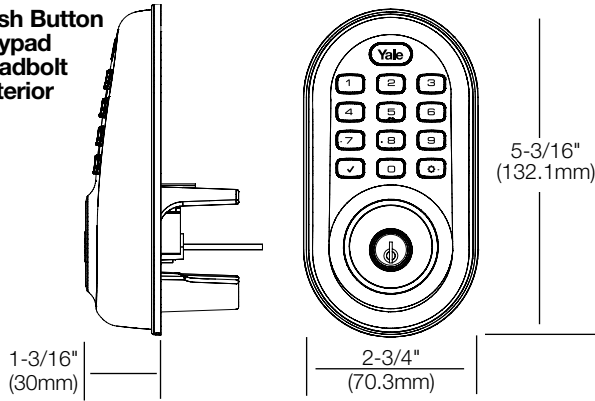
Use your phone to unlock your home and manage who has access, with the free app.



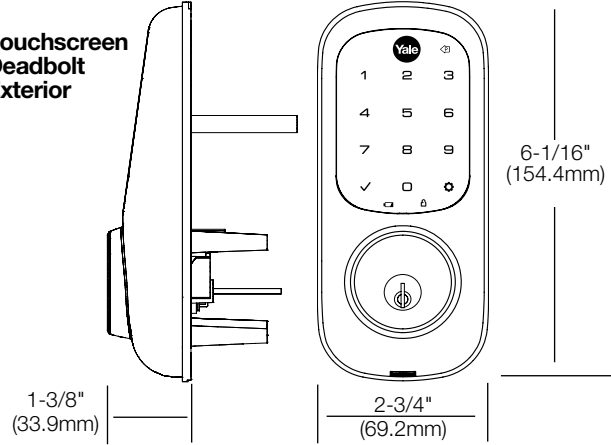
Lose Your Keys. For Good.™ Lock and unlock your home without the hassle of keys by rotating your smartphone and tapping the keypad, or with your 4-8 digit pin code. Forget lending keys; share digital keys with friends and family using the free Yale Assure app on your iOS, Android or Samsung Gear Smartwatch.

- View access history and battery levels, receive notifications, create pin codes and more all from your smartphone.
- Replaces your existing deadbolt in minutes with just a screwdriver and connects to the app in a few easy steps.
- Can be upgraded with a Yale Z-Wave or Zigbee Network Module to integrate into most home automation and security systems.
- Lock and unlock remotely, view access history and share access rights from your smartphone with most Z-Wave and Zigbee systems.

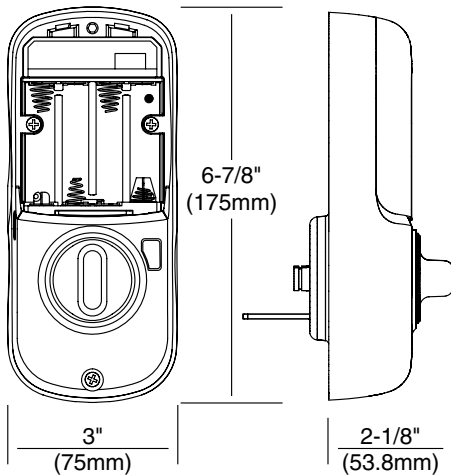
Push Button Keypad Deadbolt Exterior



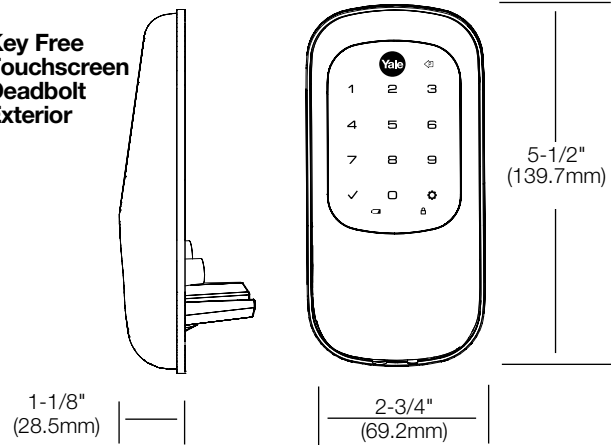
Touchscreen Deadbolt Exterior



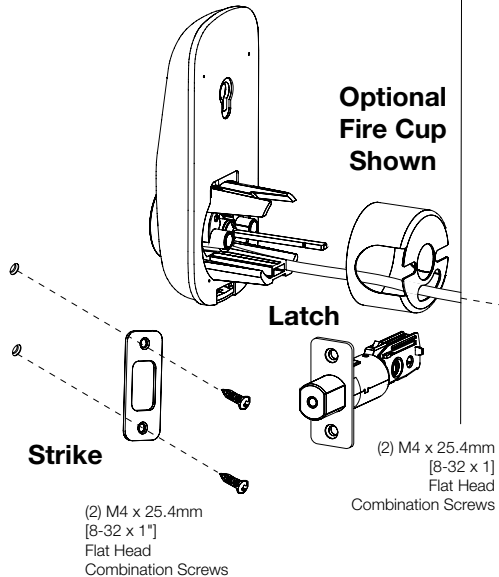
Push Button & Touchscreen Interior
shown with battery cover removed



Key Free Touchscreen Deadbolt Exterior



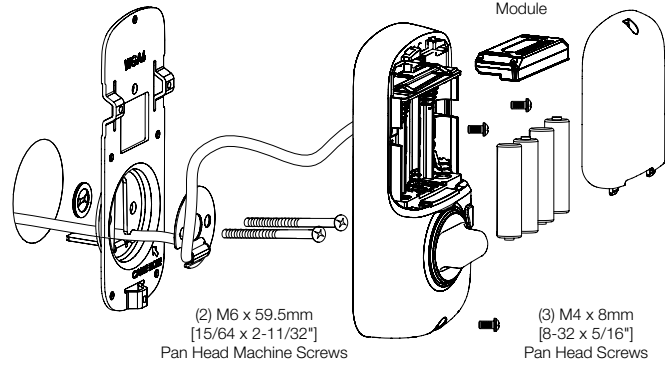
Outside Escutcheon



Inside Mounting Plate

Inside Escutcheon

Battery Cover



Contact Support
1-855-213-5841 support@yalelock.com

Yale Real Living® Assure Lock® with Bluetooth®


Functions

NO.	DESCRIPTION
YRD416	SINGLE CYLINDER PUSH BUTTON DEADBOLT: Latch operated from outside by electronic keypad interaction, or outside by key, inside by T-turn.
YRD426	SINGLE CYLINDER TOUCHSCREEN DEADBOLT: Latch operated from outside by electronic touchscreen interaction, or outside by key, inside by T-turn.
YRD446	KEY FREE TOUCHSCREEN DEADBOLT: Latch operated from outside by electronic touchscreen interaction, or inside by T-turn. Use a 9V battery backup on the outside as an override in case the batteries die.

Standard Case Quantities

	Box Pack
Push Button Deadbolt	6
Touchscreen Deadbolt	6
Key Free Touchscreen Deadbolt	6

Product Specifications

Door Specs	2 1/8" Face Bore, 1" Edge Bore 2 3/8" or 2 3/4" Backset
Door Thickness	1 3/8"* to 2 1/4" *Yale thin door gasket converts 1 3/8" door to a proper thickness for deadbolt lock installation 1 3/4" to 2 1/4" Key Free
Strike	1" x 2 1/4" RC (Round Corner)
Latch	2 3/8" or 2 3/4" Adjustable
Latch Faceplate	1" x 2 1/4" RC (Round Corner)
Keyway	Standard: Yale KW-1 5 Pin Brass Cylinder Optional: SC-1 5 Pin Brass Cylinder
Keys*	Quantity: 2 *Key Free - No Keys
Keying*	Standard: KD (Keyed Different) Optional: KA (Keyed Alike) *Key Free - No Keying
Certified ANSI/BHMA	A156.36 Grade 2 
Temperature Range	Outside Temperature Range: -30°C to 60°C = -22°F to 140°F Inside Temperature Range: -15°C to 70°C = 5°F to 158°F Battery Temperature Range: -10°C to 55°C = 14°F to 131°F Storage Temperature Range: -40°C to 85°C = -40°F to 185°F

Communication Protocol

Control4 and Crestron require unique network modules.



Product Order String for Yale Real Living Assure Lock with Bluetooth

Sample: **YRD446-ZW2-619**

Keypad Style	YRD416: Keyed Push Button with Bluetooth YRD426: Keyed Touchscreen with Bluetooth YRD446: Key Free Touchscreen with Bluetooth
Network Module	NR: Bluetooth Only ZW2: Bluetooth and Z-Wave Network Module HA2: Bluetooth and Zigbee Network Module
Finish	619: Satin Nickel 0BP: Oil Rubbed Bronze Permanent 605: Polished Brass

PRODUCT LIST PRICE

DESIGN	NO	US3 605	10BP	US15 619	MODULE
Push Button with Bluetooth Standalone	YRD416	300.00	300.00	300.00	NR
Push Button with Bluetooth Z-Wave	YRD416	390.00	390.00	390.00	ZW2
Push Button with Bluetooth Zigbee	YRD416	390.00	390.00	390.00	HA2
Touchscreen with Bluetooth Standalone	YRD426	375.00	375.00	375.00	NR
Touchscreen with Bluetooth Z-Wave	YRD426	465.00	465.00	465.00	ZW2
Touchscreen with Bluetooth Zigbee	YRD426	465.00	465.00	465.00	HA2
Key Free Touchscreen with Bluetooth Standalone	YRD446	375.00	375.00	375.00	NR
Key Free Touchscreen with Bluetooth Z-Wave	YRD446	465.00	465.00	465.00	ZW2
Key Free Touchscreen with Bluetooth Zigbee	YRD446	465.00	465.00	465.00	HA2

CYLINDER / ACCESSORY / REPLACEMENT PART LIST PRICE

DESCRIPTION	PART NO./LIST NO.	FINISH	LIST PRICE
Brass SC1-5-Pin & 2 Brass Keys, Tailpiece, High Stack, Deadbolt, KD, 26	AYRD200-SCKD-26	US26	14.10
Brass SC1-5-Pin & 2 Brass Keys, Tailpiece, High Stack, Deadbolt, KD, 03	AYRD200-SCKD-03	US3	14.10
Brass SC1-5-Pin & 2 Brass Keys, Tailpiece, High Stack, Deadbolt, KA, 26	AYRD200-SCKA-26	US26	14.10
Brass SC1-5-Pin & 2 Brass Keys, Tailpiece, High Stack, Deadbolt, KA, 03	AYRD200-SCKA-03	US3	14.10
Brass KW1-5-Pin & 2 Brass Keys, Tailpiece, High Stack, Deadbolt, KD, 26	AYRD200-KWKD-26	US26	14.10
Brass KW1-5-Pin & 2 Brass Keys, Tailpiece, High Stack, Deadbolt, KD, 03	AYRD200-KWKD-03	US3	14.10
Brass KW1-5-Pin & 2 Brass Keys, Tailpiece, High Stack, Deadbolt, KA, 26	AYRD200-KWKA-26	US26	14.10
Brass KW1-5-Pin & 2 Brass Keys, Tailpiece, High Stack, Deadbolt, KA, 03	AYRD200-KWKA-03	US3	14.10
Adjustable Drive-In Latch	AYRDB-DRIVE-26	US26	14.90
Thin Door Gasket Touchscreen I/S & O/S ESCUTCHEONS (2 PIECES)	AYRDT220-TS-GSK	Black	3.50
Thin Door Gasket Push Button I/S & O/S ESCUTCHEONS (2 PIECES)	AYRDT210-PB-GSK	Black	3.50
Touchscreen SFIC Cylinder Housing	AYRD220-1-605	US3	26.00
Touchscreen SFIC Cylinder Housing	AYRD220-1-0BP	US10BP	26.00
Touchscreen SFIC Cylinder Housing	AYRD220-1-619	US15	26.00
4 1/4" Wide Plexiglass YRL Mount	AYR-425-MNT		120.00
Deadbolt Para Cylinder, KD	AYRD200-PAKD-26	US26	26.00
Deadbolt Para Cylinder, KA	AYRD200-PAKA-26	US26	26.00
Deadbolt Para Cylinder, KD	AYRD200-PAKD-03	US3	26.00
Deadbolt Para Cylinder, KA	AYRD200-PAKA-03	US3	26.00



NOTE: The SFIC housing option is shipped less core. Small Format Interchangeable Cores can be ordered from the Yale Commercial Catalog. Yale Real Living cylinders are not Builder Key compatible.

Yale Real Living® Assure Lock® SL

NEW!

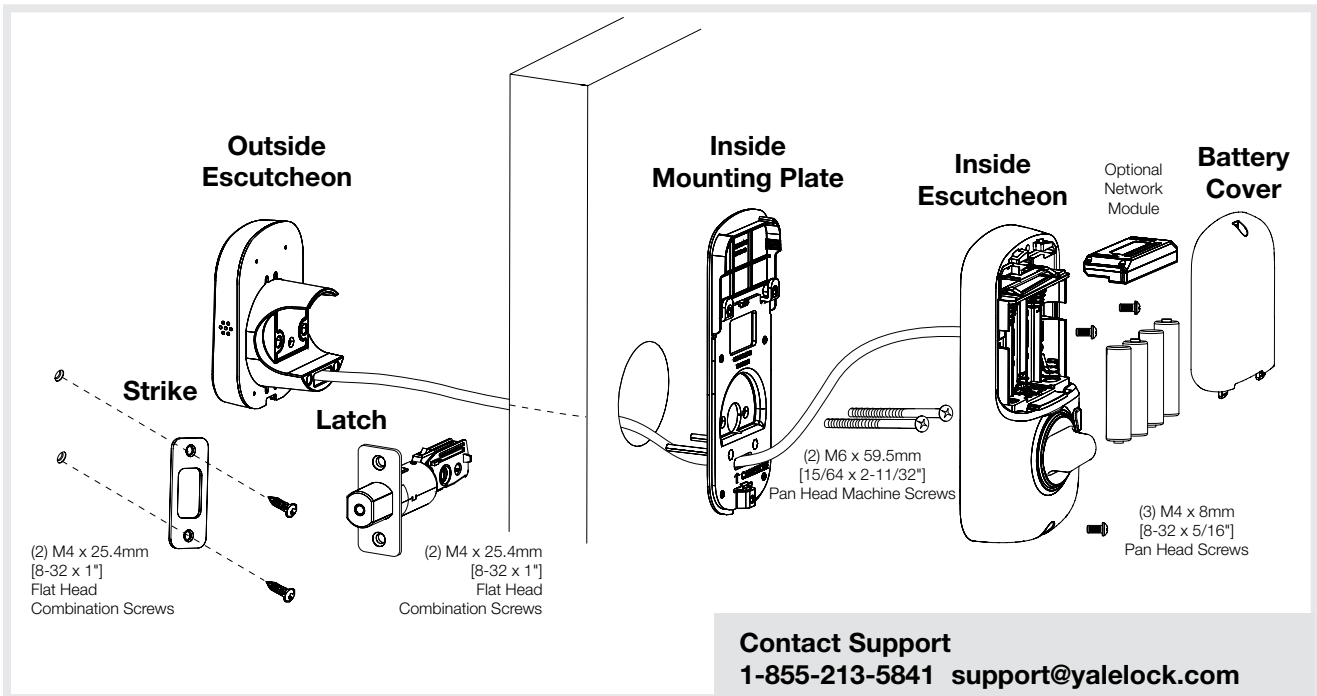
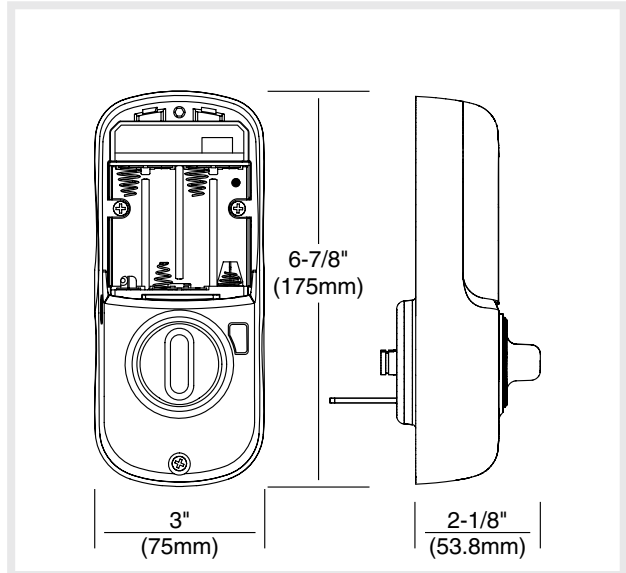
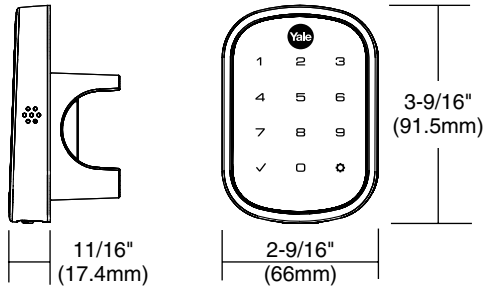
Assure Lock SL Deadbolt
YRD256



The Yale Real Living Assure Lock SL is the sleekest, slimmest electronic door lock on the market. Lock and unlock your home using the touchscreen keypad and a 4-8 digit pin code.

- Create up to 250 unique pin codes to share with friends and family (25 without a Network Module).
- Keypad wakes with a touch and features backlit numbers that won't wear off.
- Features a 9V battery terminal for emergency charging.
- Upgrade with a Yale Network Module.
 - Available Network Modules include Z-Wave, Zigbee and iM1 (HomeKit-enabled).
 - Enroll with most home automation and alarm systems with just the push of a button.
 - Lock and unlock remotely, view access history and share access rights from your smartphone.*

*Features may vary based on integration system.



Yale Real Living® Assure Lock® SL


Functions

NO.	DESCRIPTION
YRD256	SLIM KEY FREE TOUCHSCREEN DEADBOLT: Latch operated from outside by electronic touchscreen interaction, or inside by T-turn. Use a 9V battery backup on the outside as a override in case the batteries die.

Standard Case Quantities

	Box Pack
YRD256 Deadbolt	6

Product Specifications

Door Specs	2 1/8" Face Bore, 1" Edge Bore 2 3/8" or 2 3/4" Backset
Door Thickness	1 3/4" to 2 1/4"
Strike	1" x 2 1/4" RC (Round Corner)
Latch	2 3/8" or 2 3/4" Adjustable
Latch Faceplate	1" x 2 1/4" RC (Round Corner)
Certified ANSI/BHMA	A156.36 Grade 2 
Temperature Range	Outside Temperature Range: -30°C to 60°C = -22°F to 140°F Inside Temperature Range: -15°C to 70°C = 5°F to 158°F Battery Temperature Range: -10°C to 55°C = 14°F to 131°F Storage Temperature Range: -40°C to 85°C = -40°F to 185°F

Communication Protocol



Product Order String for Yale Real Living Assure Lock

Sample: **YRD256-ZW2-619**

Keypad Style	YRD256: Slim Key Free Touchscreen Deadbolt
Network Module	NR: No Network Module (Standalone) ZW2: Z-Wave Network Module iM1: iM1 Network Module (HomeKit-enabled) HA2: Zigbee Network Module* *Note: Control4 and Creston require unique network modules.
Finish	619: Satin Nickel OBP: Oil Rubbed Bronze Permanent 605: Polished Brass

DESIGN	NO	PRODUCT LIST PRICE			MODULE
		US3 605	10BP	US15 619	
Key Free Touchscreen Standalone Slim Key Free	YRD256-NR	375.00	375.00	375.00	NR
Key Free Touchscreen Z-Wave Slim Key Free	YRD256-ZW2	465.00	465.00	465.00	ZW2
Key Free Touchscreen Zigbee* Slim Key Free	YRD256-HA2	465.00	465.00	465.00	HA2
Key Free Touchscreen iM1 Slim Key Free	YRD256-iM1	465.00	465.00	465.00	iM1

*Not Control4 or Crestron compatible.

ACCESSORY / REPLACEMENT PART LIST PRICE

DESCRIPTION	PART NO./LIST NO.	FINISH	LIST PRICE
Adjustable Drive-In Latch	AYRDB-DRIVE-26	US26	14.90
Thin Door Gasket Touchscreen	AYRDT220-TS-GSK	Black	3.50
I/S & O/S ESCUTCHEONS (2 PIECES)	AYR-425-MNT		120.00



Yale Real Living® Assure Lock® Levers

COMING SOON

Push Button Lever Lock
YRL216



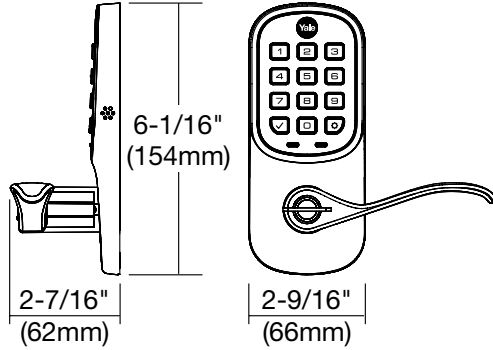
Touchscreen Lever Lock
YRL226



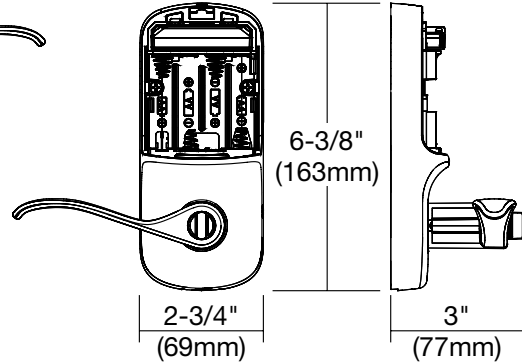
Introducing the new Assure Lock Levers, the sleekest and most convenient electronic lever locks on the market. Available in standalone or with a Yale Network Module for seamless integration into your smart home or security system.

- Available in standalone, Z-Wave or Zigbee or with an iM1 Network Module (HomeKit-enabled).
- Backlit touchscreen and push button keypads make day-to-day access, effortless.
- Simple installation requires only a screwdriver.
- Keypads wake with a touch and feature backlit numbers that won't wear off.
- Features a 9V battery terminal for emergency charging.

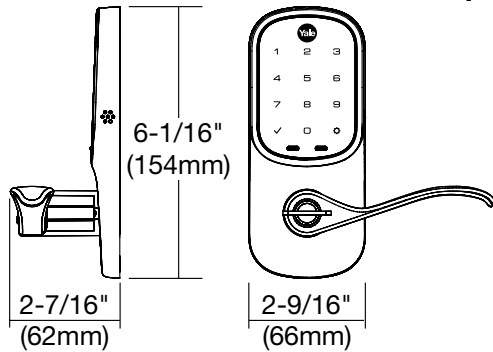
**Push Button
Assure Lever
Exterior**



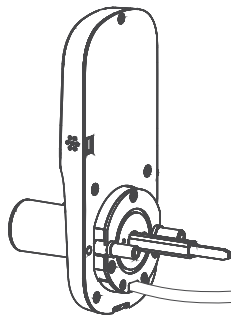
**Push Button & Touchscreen
Lever Interior**
shown with battery cover removed



**Touchscreen
Assure Lever
Exterior**

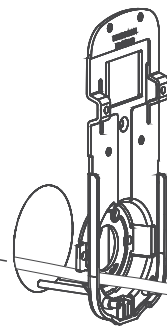


Outside Escutcheon



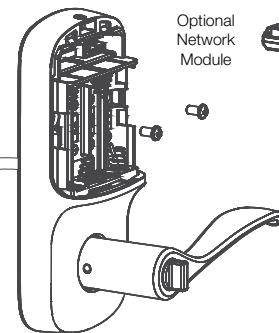
(2) M4 x 25.4mm
[8-32 x 1"]
Flat Head
Combination Screws

Inside Mounting Plate



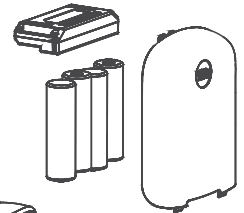
(2) M4 x 25mm
Pan Head Machine Screws

**Inside
Escutcheon**

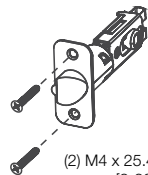


(3) M4 x 8mm
[8-32 x 5/16"]
Pan Head Screws

Battery Cover



Optional
Network
Module



(2) M4 x 25.4mm
[8-32 x 1"]
Flat Head
Combination Screws

Contact Support

1-855-213-5841 support@yalelock.com

Yale Real Living® Assure Lock® Levers

COMING SOON


Functions

NO.	DESCRIPTION
YRL216	SINGLE CYLINDER PUSH BUTTON LEVER LOCK: Lever operated from outside by electronic keypad interaction, or outside by key, inside by lever.
YRL226	SINGLE CYLINDER TOUCHSCREEN LEVER LOCK: Lever operated from outside by electronic touchscreen interaction, or outside by key, inside by lever.

Standard Case Quantities

	Box Pack
Push Button Lever Lock	6
Touchscreen Lever Lock	6

Product Specifications

Door Specs	2 $\frac{1}{8}$ " Face Bore, 1" Edge Bore 2 $\frac{3}{8}$ " or 2 $\frac{3}{4}$ " Backset
Door Thickness	1 $\frac{3}{8}$ " to 2 $\frac{1}{4}$ "
Strike	1 $\frac{1}{8}$ " x 2 $\frac{3}{4}$ "
Latch	RC (Round Corner)
Latch Faceplate	2 $\frac{3}{8}$ " or 2 $\frac{3}{4}$ " Adjustable 1" x 2 $\frac{1}{4}$ "
Keyway	RC (Round Corner) Standard: Yale KW-1 5 Pin Brass Cylinder Optional: SC-1 5 Pin Brass Cylinder
Keys	Quantity: 2
Keying	Standard: KD (Keyed Different) Optional: KA (Keyed Alike)
Certified ANSI/BHMA	A156.36 Grade 2 
Temperature Range	Outside Temperature Range: -30°C to 60°C = -22°F to 140°F Inside Temperature Range: -15°C to 70°C = 5°F to 158°F Battery Temperature Range: -10°C to 55°C = 14°F to 131°F Storage Temperature Range: -40°C to 85°C = -40°F to 185°F

Communication Protocol

Zigbee HA1.2 not Control4® or Crestron® compatible



PRODUCT LIST PRICE

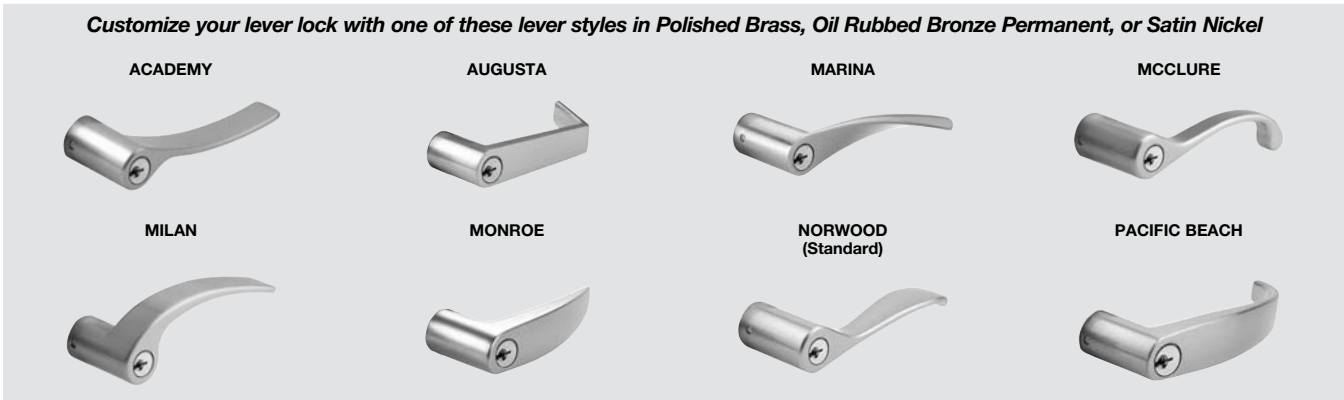
DESIGN	NO	US3 605	10BP	US15 619	MODULE
Push Button Lever Lock Standalone	YRL216	330.00	330.00	330.00	NR
Push Button Lever Lock Z-Wave	YRL216	420.00	420.00	420.00	ZW2
Push Button Lever Lock Zigbee*	YRL216	420.00	420.00	420.00	HA2
Touchscreen Lever Lock Standalone	YRL226	375.00	375.00	375.00	NR
Touchscreen Lever Lock Z-Wave	YRL226	465.00	465.00	465.00	ZW2
Touchscreen Lever Lock Zigbee*	YRL226	465.00	465.00	465.00	HA2

*HA1.2 not Control4® or Crestron® compatible

PRODUCT LIST PRICE

DESIGN	NO	US3	10BP	US15
Academy	YR05D87	36.00	36.00	36.00
Cascade	YR05D82	36.00	36.00	36.00
Marina	YR05D84	36.00	36.00	36.00
McClure	YR05D85	36.00	36.00	36.00
Milan	YR05D83	36.00	36.00	36.00
Norwood (standard) Lever Pair	YR05D88	36.00	36.00	36.00

Customize your lever lock with one of these lever styles in Polished Brass, Oil Rubbed Bronze Permanent, or Satin Nickel



CYLINDER / ACCESSORY / REPLACEMENT PART LIST PRICE

DESCRIPTION	PART NO./LIST NO.	FINISH	LIST PRICE
Brass SC1-5-Pin & 2 Brass Keys, Tailpiece, High Stack, Entry, KD, 26	AYRL200-SCKD-26	US26	14.10
Brass SC1-5-Pin & 2 Brass Keys, Tailpiece, High Stack, Entry, KD, 03	AYRL200-SCKD-03	US3	14.10
Brass SC1-5-Pin & 2 Brass Keys, Tailpiece, High Stack, Entry, KA, 26	AYRL200-SCKA-26	US26	14.10
Brass SC1-5-Pin & 2 Brass Keys, Tailpiece, High Stack, Entry, KA, 03	AYRL200-SCKA-03	US3	14.10
Brass KW1-5-Pin & 2 Brass Keys, Tailpiece, High Stack, Entry, KD, 26	AYRL200-KWKD-26	US26	14.10
Brass KW1-5-Pin & 2 Brass Keys, Tailpiece, High Stack, Entry, KD, 03	AYRL200-KWKD-03	US3	14.10
Brass KW1-5-Pin & 2 Brass Keys, Tailpiece, High Stack, Entry, KA, 26	AYRL200-KWKA-26	US26	14.10
Brass KW1-5-Pin & 2 Brass Keys, Tailpiece, High Stack, Entry, KA, 03	AYRL200-KWKA-03	US3	14.10
Adjustable Drive-In Latch	AYRL-DRIVE-26	US26	14.90
4 1/4" Wide Plexiglass YRL Mount	AYR-425-MNT		120.00

NOTE: The SFIC (Small Format Interchangeable Core) is not available. Yale Real Living cylinders are not Builder Key compatible.



Yale Real Living® Keyless Entry Lever Locks

Push Button Lever Lock
YRL210



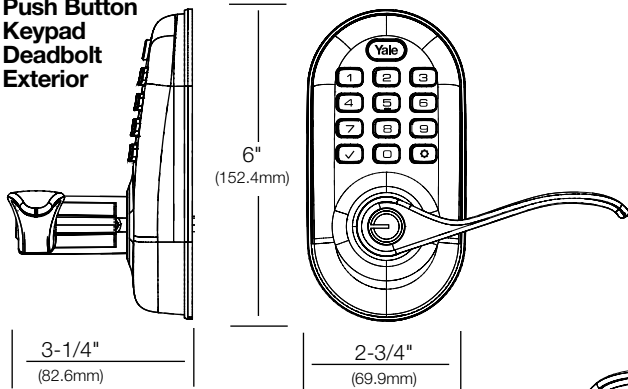
Touchscreen Lever Lock
YRL220



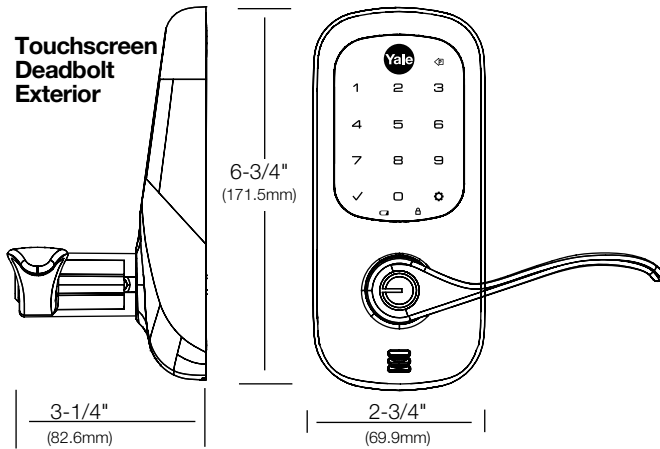
Yale Real Living Keyless Entry Lever Locks, the next generation of electronic residential locks from Yale, provide versatility and convenient access:

- Standalone OR
- Z-Wave or Zigbee enabled, as part of a home control or home security system
- Backlit touchscreen and push button keypads make day-to-day access, effortless.

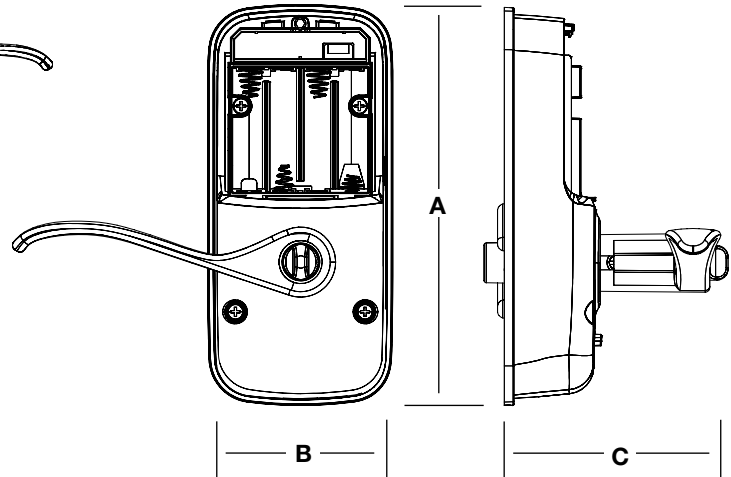
Push Button Keypad Deadbolt Exterior



Touchscreen Deadbolt Exterior



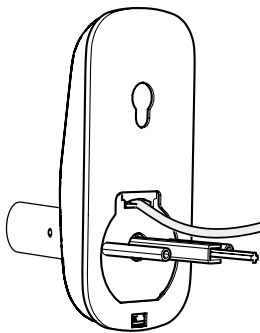
Push Button & Touchscreen Lever Lock Interior
shown with battery cover removed



Push Button & Touchscreen Lever Lock Interior

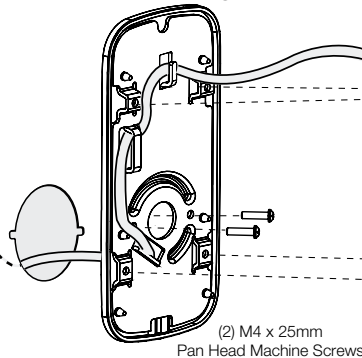
DIMENSIONS	A	B	C
Push Button	6 3/4" (171.5mm)	3 1/8" (79.4mm)	4" (101.6mm)
Touchscreen	6 3/4" (171.5mm)	3 1/8" (79.4mm)	3 3/4" (95.3mm)

Outside Escutcheon



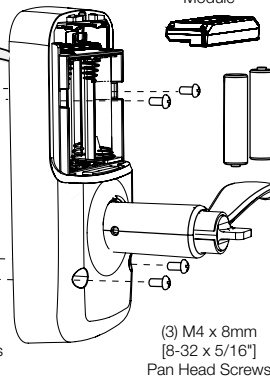
(2) M4 x 25.4mm
[8-32 x 1"]
Flat Head
Combination Screws

Inside Mounting Plate



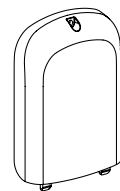
(2) M4 x 25.4mm
[8-32 x 1"]
Flat Head
Combination Screws

Inside Escutcheon



Optional
Network
Module

Battery Cover



Contact Support
1-855-213-5841 support@yalelock.com

Yale Real Living® Keyless Entry Lever Locks


Functions

NO.	DESCRIPTION
YRL210	SINGLE CYLINDER PUSH BUTTON LEVER LOCK: Lever operated from outside by electronic keypad interaction, or outside by key, inside by lever.
YRL220	SINGLE CYLINDER TOUCHSCREEN LEVER LOCK: Lever operated from outside by electronic touchscreen interaction, or outside by key, inside by lever.

Standard Case Quantities

	Box Pack
Push Button Lever Lock	6
Touchscreen Lever Lock	6

Product Specifications

Door Specs	2 ¹ / ₈ " Face Bore, 1" Edge Bore 2 ³ / ₈ " or 2 ³ / ₄ " Backset
Door Thickness	1 ³ / ₈ " to 2 ¹ / ₄ "
Strike	1 ¹ / ₈ " x 2 ³ / ₄ "
Latch	RC (Round Corner)
Latch Faceplate	2 ³ / ₈ " or 2 ³ / ₄ " Adjustable 1" x 2 ¹ / ₄ "
Keyway	RC (Round Corner) Standard: Yale KW-1 5 Pin Brass Cylinder Optional: SC-1 5 Pin Brass Cylinder
Keys	Quantity: 2
Keying	Standard: KD (Keyed Different) Optional: KA (Keyed Alike)
Certified ANSI/BHMA	A156.36 Grade 2 
Temperature Range	Outside Temperature Range: -30°C to 60°C = -22°F to 140°F Inside Temperature Range: -15°C to 70°C = 5°F to 158°F Battery Temperature Range: -10°C to 55°C = 14°F to 131°F Storage Temperature Range: -40°C to 85°C = -40°F to 185°F

Communication Protocol

Zigbee HA1.2 not Control4® or Crestron® compatible



PRODUCT LIST PRICE

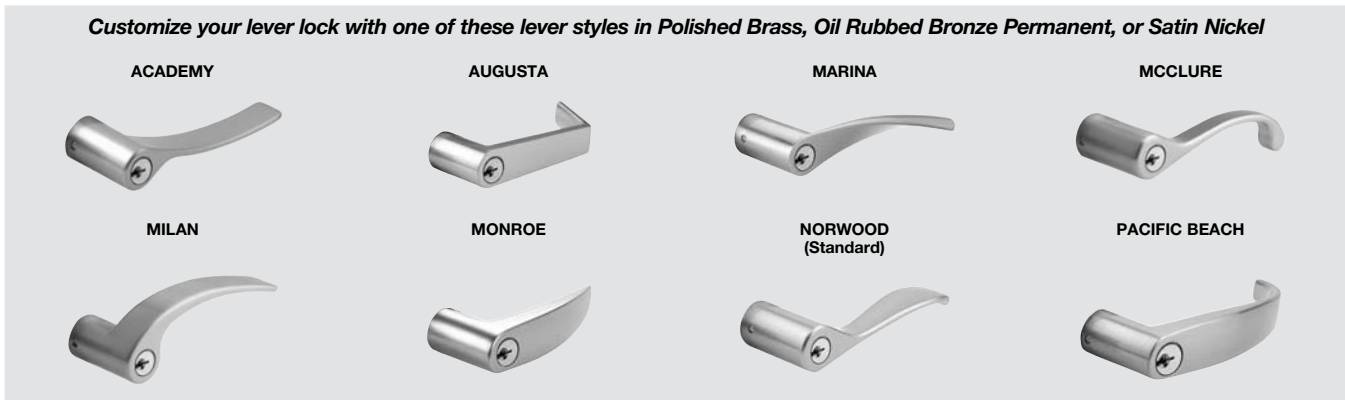
DESIGN	NO	US3 605	10BP	US15 619	MODULE
Push Button Lever Lock Standalone	YRL210	330.00	330.00	330.00	NR
Push Button Lever Lock Z-Wave	YRL210	420.00	420.00	420.00	ZW
Push Button Lever Lock Zigbee*	YRL210	420.00	420.00	420.00	HA
Touchscreen Lever Lock Standalone	YRL220	375.00	375.00	375.00	NR
Touchscreen Lever Lock Z-Wave	YRL220	465.00	465.00	465.00	ZW
Touchscreen Lever Lock Zigbee*	YRL220	465.00	465.00	465.00	HA

*HA1.2 not Control4® or Crestron® compatible

PRODUCT LIST PRICE

DESIGN	NO	US3	10BP	US15
Academy	YR05D87	36.00	36.00	36.00
Cascade	YR05D82	36.00	36.00	36.00
Marina	YR05D84	36.00	36.00	36.00
McClure	YR05D85	36.00	36.00	36.00
Milan	YR05D83	36.00	36.00	36.00
Norwood (standard) Lever Pair	YR05D88	36.00	36.00	36.00

Customize your lever lock with one of these lever styles in Polished Brass, Oil Rubbed Bronze Permanent, or Satin Nickel



CYLINDER / ACCESSORY / REPLACEMENT PART LIST PRICE

DESCRIPTION	PART NO./LIST NO.	FINISH	LIST PRICE
Brass SC1-5-Pin & 2 Brass Keys, Tailpiece, High Stack, Entry, KD, 26	AYRL200-SCKD-26	US26	14.10
Brass SC1-5-Pin & 2 Brass Keys, Tailpiece, High Stack, Entry, KD, 03	AYRL200-SCKD-03	US3	14.10
Brass SC1-5-Pin & 2 Brass Keys, Tailpiece, High Stack, Entry, KA, 26	AYRL200-SCKA-26	US26	14.10
Brass SC1-5-Pin & 2 Brass Keys, Tailpiece, High Stack, Entry, KA, 03	AYRL200-SCKA-03	US3	14.10
Brass KW1-5-Pin & 2 Brass Keys, Tailpiece, High Stack, Entry, KD, 26	AYRL200-KWKD-26	US26	14.10
Brass KW1-5-Pin & 2 Brass Keys, Tailpiece, High Stack, Entry, KD, 03	AYRL200-KWKD-03	US3	14.10
Brass KW1-5-Pin & 2 Brass Keys, Tailpiece, High Stack, Entry, KA, 26	AYRL200-KWKA-26	US26	14.10
Brass KW1-5-Pin & 2 Brass Keys, Tailpiece, High Stack, Entry, KA, 03	AYRL200-KWKA-03	US3	14.10
Adjustable Drive-In Latch	AYRL-DRIVE-26	US26	14.90
4 1/4" Wide Plexiglass YRL Mount	AYR-425-MNT		120.00

NOTE: Note: The SFIC (Small Format Interchangeable Core) is not available. Yale Real Living cylinders are not Builder Key compatible.



Yale Real Living® Key Free Entry Deadbolts

B1L Lock Push Button Deadbolt
YRD110



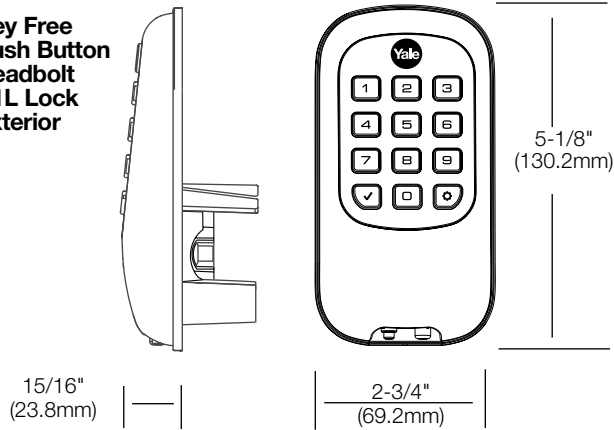
T1L Lock Touchscreen Deadbolt
YRD120



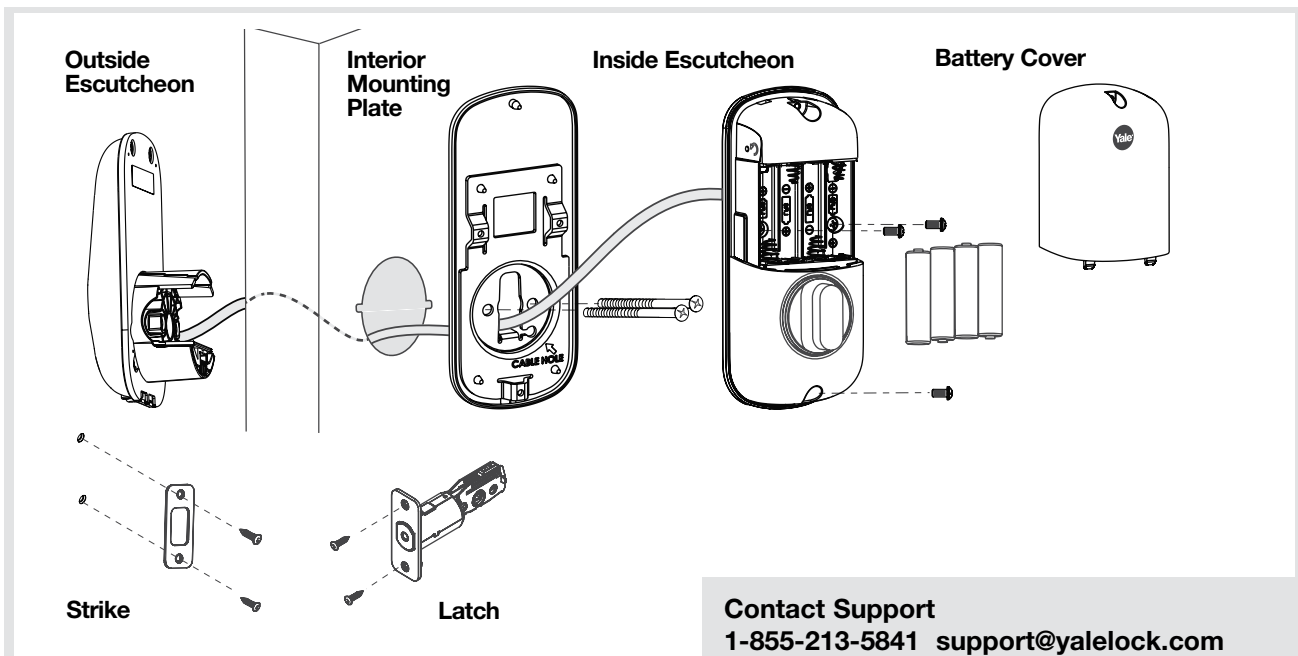
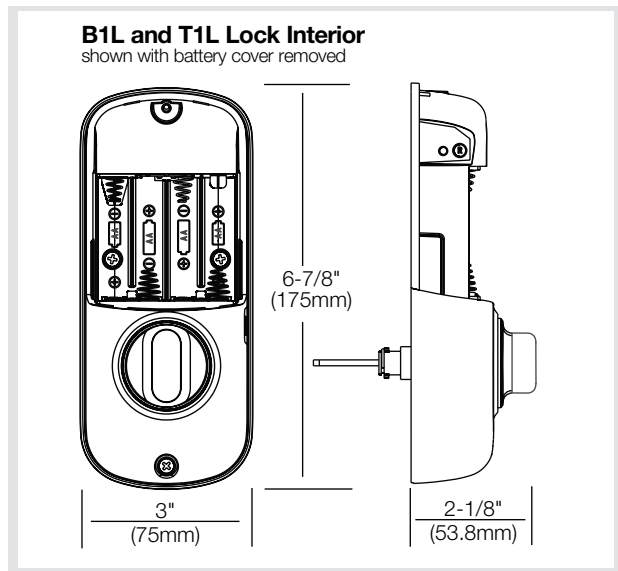
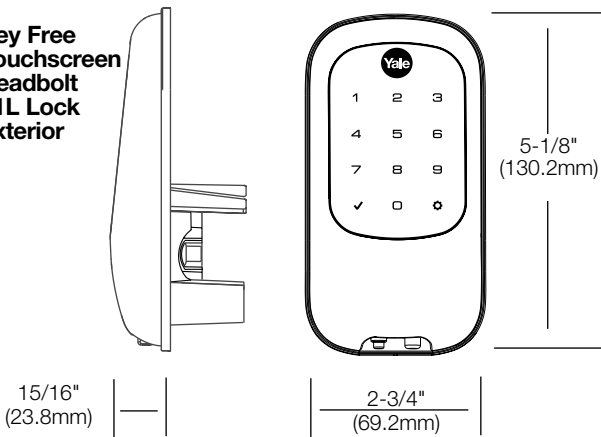
The key free B1L Lock and T1L Lock add critical product options to a growing customer demand for enhanced security with a sleek aesthetic and uncomplicated operation:

- Z-Wave enabled, as part of a home control or home security system.
- Available as standalone.
- Backlit touchscreen and push button keypads make day-to-day access, effortless.

**Key Free
Push Button
Deadbolt
B1L Lock
Exterior**



**Key Free
Touchscreen
Deadbolt
T1L Lock
Exterior**



Contact Support
1-855-213-5841 support@yalelock.com

Yale Real Living® Key Free Entry Deadbolts


Functions

NO.	DESCRIPTION
YRD110	B1L LOCK PUSH BUTTON DEADBOLT: Latch operated from outside by electronic push button interaction, or inside by T-turn. Use a 9V battery backup on the outside as a override in case the batteries die.
YRD120	T1L LOCK TOUCHSCREEN DEADBOLT: Latch operated from outside by electronic touchscreen interaction, or inside by T-turn. Use a 9V battery backup on the outside as a override in case the batteries die.

Standard Case Quantities

	Box Pack
B1L/T1L Locks	6

Product Specifications

Door Specs	2 1/8" Face Bore, 1" Edge Bore 2 3/8" or 2 3/4" Backset
Door Thickness	1 3/8"* to 2 1/4"
Strike	1" x 2 1/4"
Latch	RC (Round Corner)
Latch Faceplate	2 3/8" or 2 3/4" Adjustable 1" x 2 1/4"
Keyway	RC (Round Corner) Standard: Yale KW-1 5 Pin Brass Cylinder
Certified ANSI/BHMA	A156.36 Grade 2 
Temperature Range	Outside Temperature Range: -30°C to 60°C = -22°F to 140°F Inside Temperature Range: -15°C to 70°C = 5°F to 158°F Battery Temperature Range: -10°C to 55°C = 14°F to 131°F Storage Temperature Range: -40°C to 85°C = -40°F to 185°F

Communication Protocol

Z-Wave Network Module Standard



Product Order String for Yale Real Living B1L/T1L Locks

Sample: **YRD120-ZW-619**

Keypad Style	YRD110: Key Free Push Button Deadbolt Keypad YRD120: Key Free Touchscreen Deadbolt Keypad
Network Module	NR: No Network Module (Standalone) ZW: Z-Wave Network Module
Finish	619: Satin Nickel 0BP: (10BP) Oil Rubbed Bronze Permanent 605: Polished Brass

PRODUCT LIST PRICE

DESIGN	NO	US3 605	10BP	US15 619	MODULE
B1L Lock Push Button Deadbolt Standalone	YRD110	250.00	250.00	250.00	NR
B1L Lock Push Button Deadbolt Z-Wave	YRD110	360.00	360.00	360.00	ZW
T1L Lock Touchscreen Deadbolt Standalone	YRD120	320.00	320.00	320.00	NR
T1L Lock Touchscreen Deadbolt Z-Wave	YRD120	430.00	430.00	430.00	ZW

CYLINDER / ACCESSORY / REPLACEMENT PART LIST PRICE

DESCRIPTION	PART NO./LIST NO.	FINISH	LIST PRICE
Adjustable Drive-In Latch	AYRDB-DRIVE-26	US26	14.90
4 1/4" Wide Plexiglass YRL Mount	AYR-425-MNT		120.00

Yale Real Living® Look Door Viewer®

Look Door Viewer with WiFi
YRV740WI693
Look Door Viewer with Z-Wave (Coming Soon)
YRV740ZW693



LCD Monitor for Inside



 Yale Look App

See and speak to whoever's at your door, from anywhere, using your smartphone.



HD Camera, Motion Detector,
Microphone and Speaker for Outside



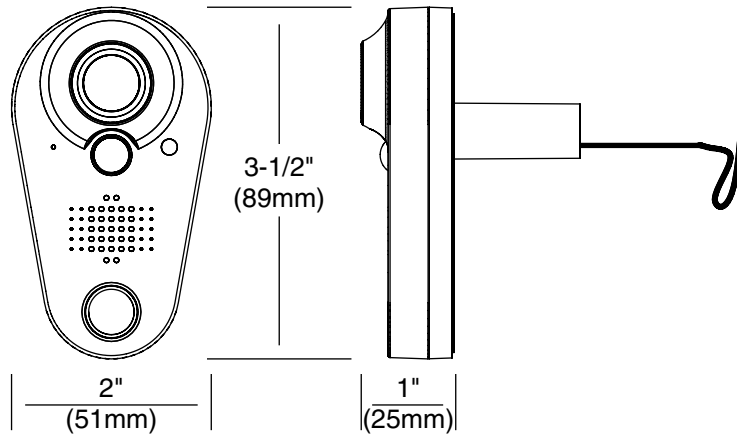
Answer Your Door. Anywhere. Anytime.™
with the Yale Look Door Viewer®.



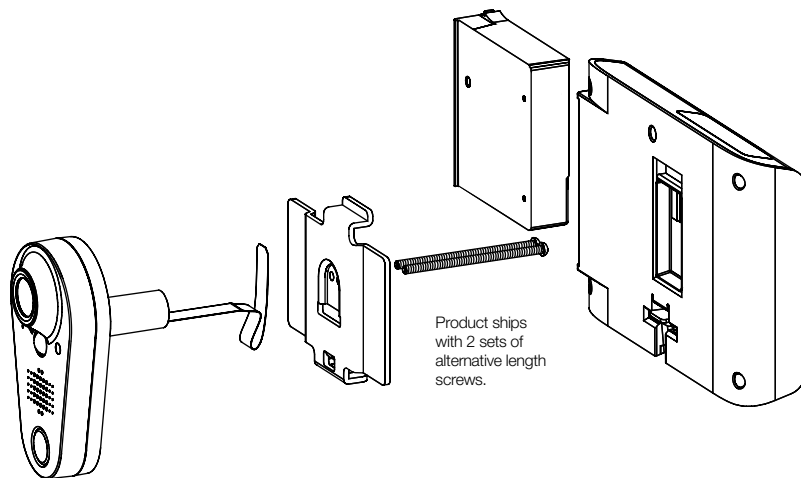
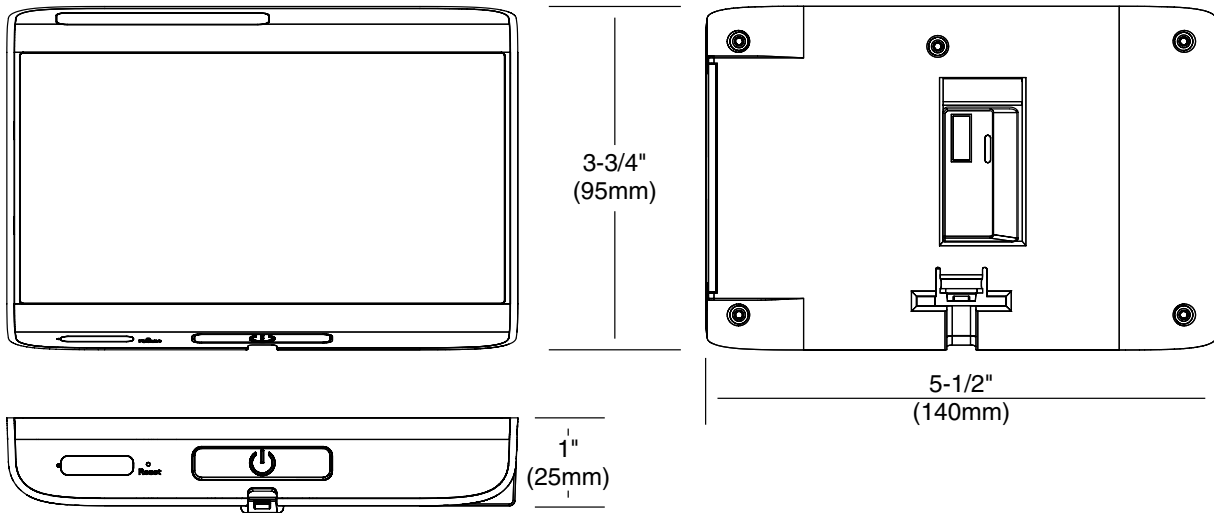
See and speak to visitors at your door, from anywhere, using the free Yale Look app for iOS and Android.

- Receive a notification on your smartphone when motion is detected right outside your door or when the doorbell is pressed.
- See and speak to your visitors right from your smartphone.
- View a time line history with photos and videos to see recent activity.
- Z-Wave version integrates seamlessly into most Z-Wave home automation or alarm systems for added smart home features.

**HD Camera,
Motion Detector,
Microphone
and Speaker for
Outside**



LCD Monitor For Inside



Product ships
with 2 sets of
alternative length
screws.

Contact Support
1-855-213-5841 support@yalelock.com

Yale Real Living® Look Door Viewer®

Features

- View live video or still images of who is at the door
- Built in LED for assisted night viewing
- Images stored in internal memory so you can see who called, even when you were out
- Save video or still images to the internal SD memory card. Remove the card and access data via a hot-pluggable SD micro-card reader.
- Viewer screen can be seen from distances of several feet away
- Includes rechargeable battery pack and micro USB charging cable
- 110° viewing angle while not suffering from image distortion found in traditional door viewers
- 3.2" viewing screen provides large clear images of any visitor (up to 10 times bigger than traditional spy holes)
- Simple installation, fits doors 1³/₄" - 4" (thick)
- Robust, weather resistant construction
- One Year Warranty for original owner

Product Specifications

Lens	110° angle
LED	Infrared LEDs for night mode
Door Chime	80dB
LCD	3.2"
Battery	4 x AA batteries (supplied)
Support Door Thickness	1 ³ / ₄ " - 4" (thick)
Cylinder Drill Diameter	⁹ / ₁₆ "
Dimension, Viewer	3 ³⁵ / ₆₄ " (H) 5 ²⁵ / ₆₄ " (W) 1" (D)

STANDARD CASE QUANTITIES

Box Pack

Look Door Viewer	2
-------------------------	---

PRODUCT LIST PRICE

LOOK DOOR VIEWER®	NO	Black 693
Look Door Viewer with WiFi	YRV740WI693	324.00
Look Door Viewer with Z-Wave	YRV740ZW693	Coming Soon

ACCESSORY LIST PRICE

DESCRIPTION	PART NO.	LIST PRICE
5 3/4 " Wide Plexiglass YRL Mount	DDV-619-693-MNT	120.00



Yale Real Living® Digital Door Viewers

Premium

Black: AYRD-DDV7001-693

Silver: AYRD-DDV7001-619



Premium

Door Exterior



Premium

Memory Card

Standard

Black: AYRD-DDV8032-693

Silver: AYRD-DDV8032-619



Standard

Door Exterior



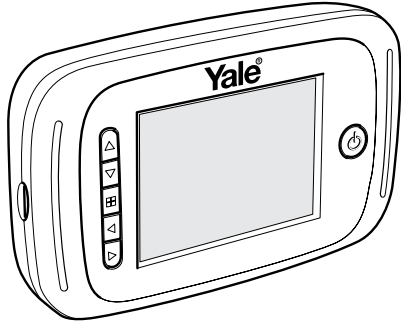
See who is at your door. An innovation in door viewer security. Select the best option and view or take clear still images or video with a 0.3 megapixel camera.

Available in 2 versions:

- Digital Door Viewer | Premium
- Digital Door Viewer | Standard

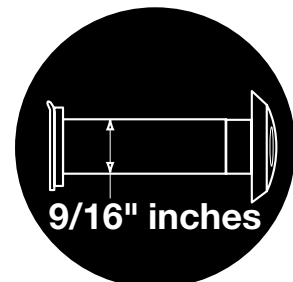
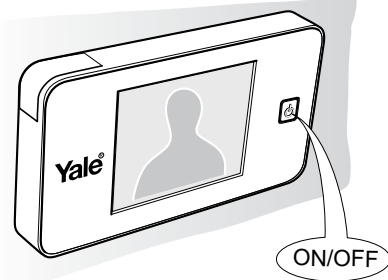
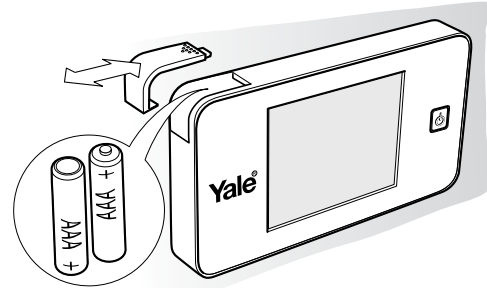
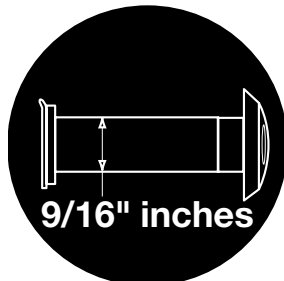
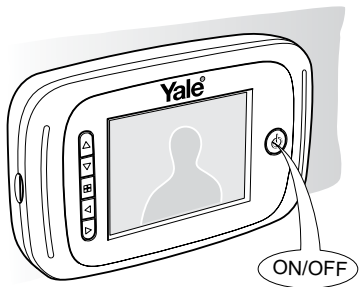
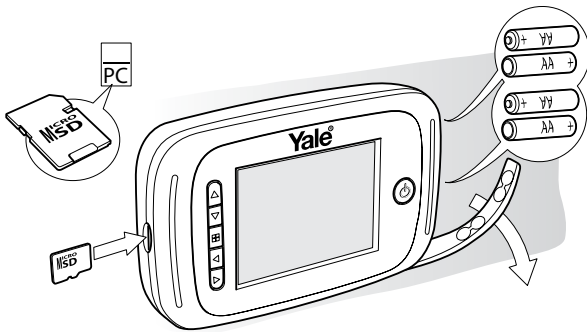
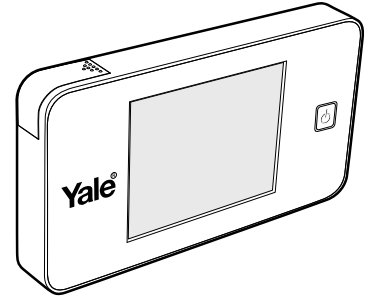
Digital Door Viewer Premium

Dimension, Viewer
3-35/64" (H)
5-25/64" (W)
1" (D)



Digital Door Viewer Standard

Dimension, Viewer
2-43/64" (H)
5" (W)
37/64" (D)



Yale Real Living® Digital Door Viewers

Digital Door Viewer | Premium

Features

- View live video or still images of who is at the door
- Built in LED for assisted night viewing
- Images stored in internal memory so you can see who called, even when you were out
- Save video or still images to the internal SD memory card. Remove the card and access data via a hot-pluggable SD micro-card reader.
- Viewer screen can be seen from distances of several feet away
- Includes 4 x AA batteries
- 110° viewing angle while not suffering from image distortion found in traditional door viewers
- 3.2" viewing screen provides large clear images of any visitor (up to 10 times bigger than traditional spy holes)
- Simple installation, fits doors 1³/₄" - 4" (thick)
- Robust, weather resistant construction
- One Year Warranty for original owner

Product Specifications

Lens	110° angle
LED	Infrared LEDs for night mode
Door Chime	80dB
LCD	3.2"
Battery	4 x AA batteries (supplied)
Support Door Thickness	1 ³ / ₄ " - 4" (thick)
Cylinder Drill Diameter	9/16"
Dimension, Viewer	3 ³⁵ / ₆₄ " (H) 5 ²⁵ / ₆₄ " (W) 1" (D)

STANDARD CASE QUANTITIES (Yale Real Living Digital Door Viewers)

Box Pack

Premium	30
----------------	----

PRODUCT LIST PRICE

DESIGN	NO	Black 693	Silver 619
Digital Door Viewer Premium	AYRDDD7001	200.00	200.00

ACCESSORY LIST PRICE

DESCRIPTION	PART NO.	LIST PRICE
5 ³ / ₄ " Wide Plexiglass YRL Mount	DDV-619-693-MNT	120.00



Digital Door Viewer | Standard

Features

- View live video or still images of who is at the door
- Includes 2 x AA batteries
- 105° viewing angle while not suffering from image distortion found in traditional door viewers
- 3.2" viewing screen provides large clear images of any visitor (up to 10 times bigger than traditional spy holes)
- Viewer screen can be seen from distances of several feet away
- Simple installation, fits doors 1¾" - 4" (thick)
- Robust, weather resistant construction
- One Year Warranty for original owner

Product Specifications

Lens	105° angle
LCD	3.2"
Battery	2 x AA batteries (supplied)
Support Door Thickness	1¾" - 4" (thick)
Cylinder Drill Diameter	9/16"
Dimension, Viewer	2 ⁴³ / ₆₄ " (H) 5" (W) 1/16" (D)

STANDARD CASE QUANTITIES (Yale Real Living Digital Door Viewers)

Box Pack

Standard	30
-----------------	----

PRODUCT LIST PRICE

DESIGN	NO	Black 693	Silver 619
Digital Door Viewer Standard	AYRDDDV8032	140.00	140.00

ACCESSORY LIST PRICE

DESCRIPTION	PART NO.	LIST PRICE
5 ³ / ₄ " Wide Plexiglass YRL Mount	DDV-619-693-MNT	120.00



Yale Real Living® Assure Lock® Interconnected

Assure Lock Interconnected
YRC216



Assure Lock Interconnected
YRC226






Assure Lock Interconnected
YRC246





Yale Real Living Assure Lock Interconnected combines electronic deadbolts with the convenience of a passage lever for panic proof egress. From the inside, both the latchbolt and the deadbolt are retracted simultaneously in a single motion for a quick and easy exit. Available in standalone, Bluetooth, Z-Wave or Zigbee configurations.

Yale Real Living® Assure Lock® Interconnected

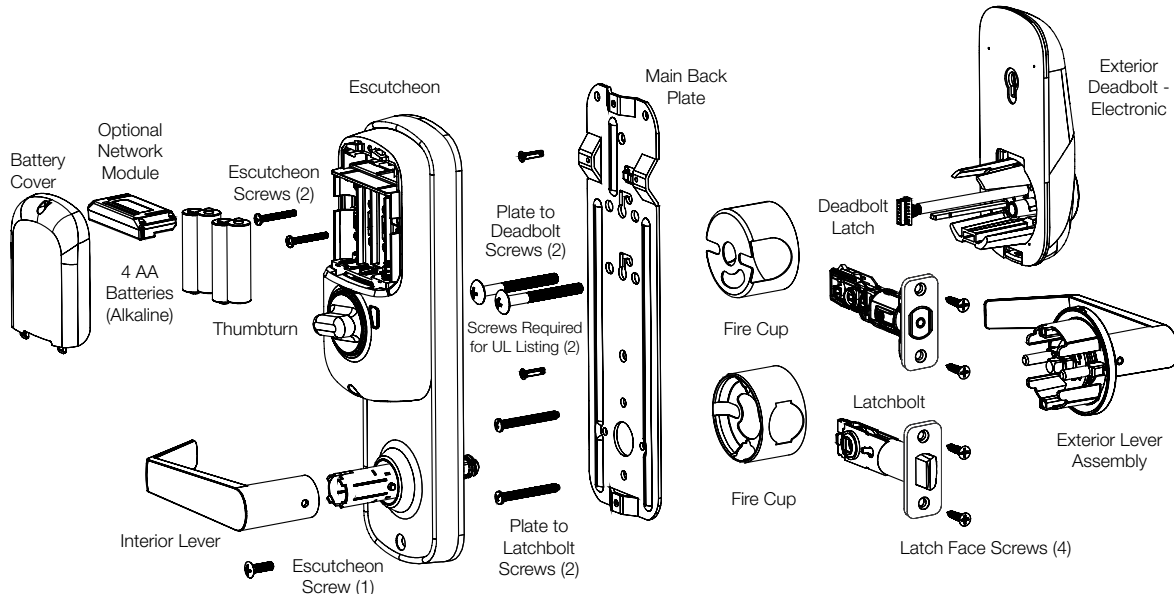
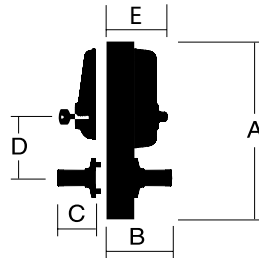
Styles

STYLE	NO.	DESCRIPTION
	YRC216	Single point lock. Latchbolt is operated by either lever at all times. Deadbolt activated by touchscreen or key on outside or by thumbturn on inside. Interior lever retracts latch and deadbolt simultaneously.
	YRC226	Single point lock. Latchbolt is operated by either lever at all times. Deadbolt activated by touchscreen or key on outside or by thumbturn on inside. Interior lever retracts latch and deadbolt simultaneously.
	YRC246	Single point lock. Latchbolt is operated by either lever at all times. Deadbolt activated by touchscreen or by thumbturn on inside. Interior lever retracts latch and deadbolt simultaneously.

Product Specifications

Door Specs	2 ¹ / ₈ " Face Bore, 1" Edge Bore, 4" or 5 ¹ / ₂ " Center to Center* *Must specify
Backset	2 ³ / ₈ " (60mm) or 2 ³ / ₄ " (70mm)
Door Thickness	1 ³ / ₈ " (35mm) to 1 ³ / ₄ " (44mm)
Cylinder	KW-1 Compatible standard, other cylinders/keyways available to order. SFIC optional.
Keying	KD (Keyed Different) standard, master keying available to order
Latch Faceplate	1" (25mm) W x 2 ¹ / ₄ " (57mm) H; Round Corner standard, Square Corner available to order
Strike	Lever: 2 ¹ / ₄ " (57mm) Full Lip, Deadbolt Strike: 1" x 2 ¹ / ₄ "; Round Corner standard, other strikes available to order.
Certified ANSI/BHMA	A156.12, Grade 2 
UL/cUL	Listed for 20 minute fire doors 

Mechanical View

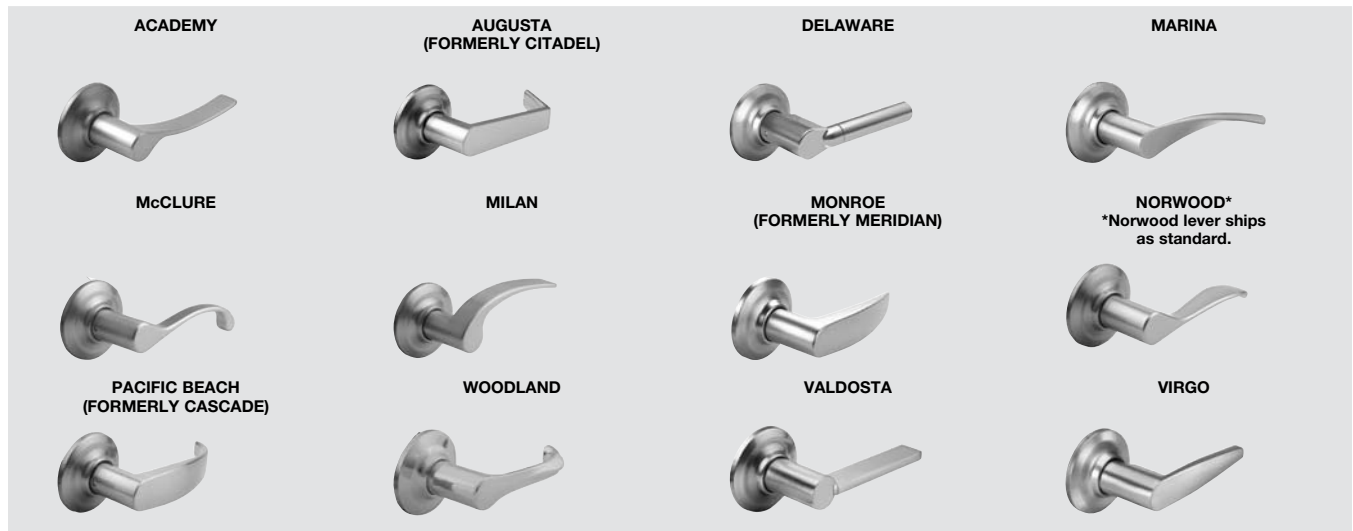


BOX PACK LIST PRICE

Interconnected

Available lever styles shown below.
Yale Real Living YRC216, YRC226 (KW standard);
see below for keying options

	DESIGN	Z-wave, Zigbee, Bluetooth, Standalone	US3	US15	10BP
			605	619	
Note: FlashShip orders over 50 pieces need to be ordered factory direct					
YRC216 Interconnected	Push Button	ZW2/HA2	580.00	580.00	580.00
YRC216 Interconnected	Push Button	Standalone	490.00	490.00	490.00
YRC226 Interconnected	Touchscreen	ZW2/HA2	650.00	650.00	650.00
YRC226 Interconnected	Touchscreen	Standalone	560.00	560.00	560.00
YRC246 Interconnected	Key Free	ZW2/HA2	650.00	650.00	650.00
YRC246 Interconnected	Key Free	Standalone	560.00	560.00	560.00
YRC416 Interconnected	Push Button	ZW2/HA2	580.00	580.00	580.00
YRC416 Interconnected	Push Button	Bluetooth	490.00	490.00	490.00
YRC426 Interconnected	Touchscreen	ZW2/HA2	650.00	650.00	650.00
YRC426 Interconnected	Touchscreen	Bluetooth	560.00	560.00	560.00
YRC446 Interconnected	Key Free	ZW2/HA2	650.00	650.00	650.00
YRC446 Interconnected	Key Free	Bluetooth	560.00	560.00	560.00



INTERCONNECTED PASSAGE LEVER PAIRS

Design	Part #	
Academy (Passage lever Pair)	YR05D67*	15.80
Augusta (Passage lever Pair)	YR05D66*	15.80
Delaware (Passage lever Pair)	YR05D6D*	15.80
Marina (Passage lever Pair)	YR05D64*	15.80
McClure (Passage lever Pair)	YR05D65*	15.80
Milan (Passage lever Pair)	YR05D63*	15.80
Monroe (Passage lever Pair)	YR05D6W*	15.80
Norwood (Passage lever Pair)	YR05D68*	15.80
Pacific Beach (Passage lever Pair)	YR05D62*	15.80
Valdosta (Passage lever Pair)	YR05D6V*	15.80
Virgo (Passage lever Pair)	YR05D61*	15.80
Woodland (Passage lever Pair)	YR05D69*	15.80

OPTIONS

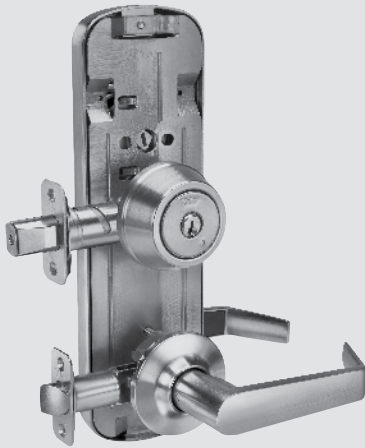
Less Cylinder (LC)	0.00 No deductions	
SFIC (LC only)	0.00 No deductions	Lock SFICLC only. A600 or K600 available thru YC, should be listed as a separate line item. To order specify SFIC.
Para Keyway	0.00 No adder	
KW1 cylinder separately 6-pin	9.90	See page 61 for cylinder options and part numbers.
Schlage C separately 6-pin	9.90	See page 61 for cylinder options and part numbers.
Yale Para separately 6-pin	14.10	See page 61 for cylinder options and part numbers.
Arrow cylinders separately	Cylinder model X96C-V2. Order thru Arrow.	DB = 692C x 6 pin and Lever = 100YC x 6 pin

Latches, Latchbolts, Cylinders see page 61.

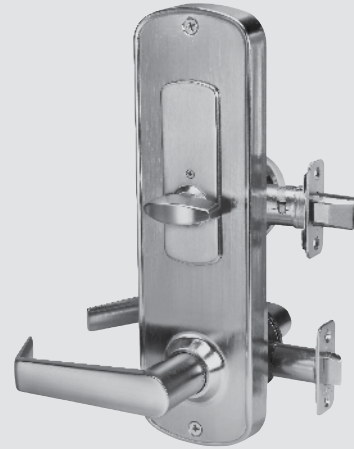
YH Interconnected Mechanical from Yale®

Adjustable 4" or 5.5"

YH Collection Premier Deadbolt
with Passage Lever
Exterior



Interior



The new YH Collection Grade 2 Interconnected Mechanical Locksets offer flexible, convenient and stylish security for new or retrofit multi-family applications. The center to center dimension is field-adjustable and installs into most standard door preps. From the inside, latchbolt and deadbolt retract simultaneously for easy egress and the thumbturn quickly secures the opening. Available in three functions with 12 levers in 5 finishes, the Interconnected Mechanical locksets are sure to complement any décor.

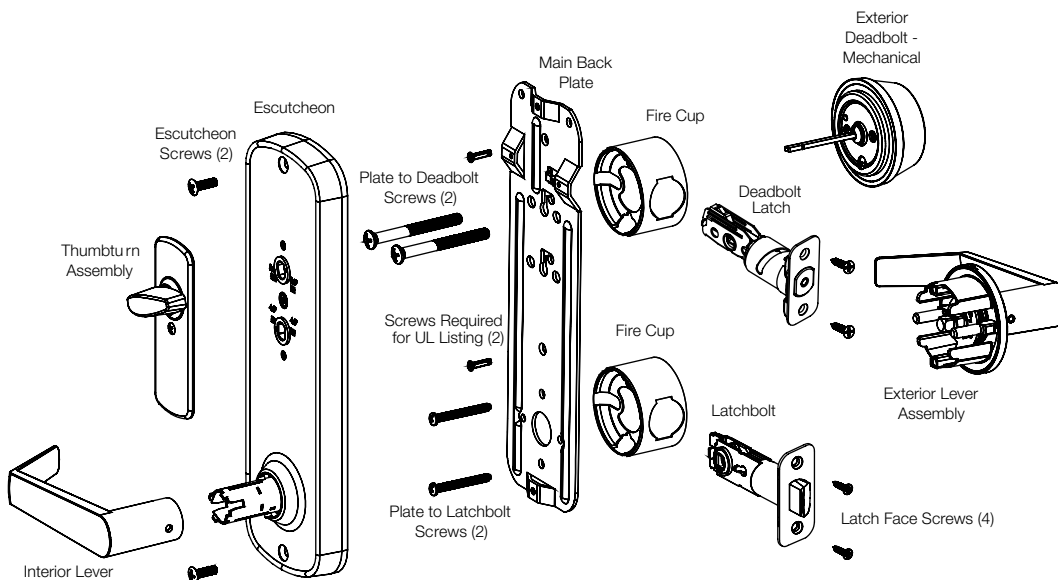
Functions

FUNCTION	NO.	DESCRIPTION
	YR852	PASSAGE: Single point lock. Latchbolt is operated by either lever at all times. Deadbolt activated by key on outside; inside by T-turn. Interior lever retracts latch and deadbolt simultaneously.
	YR853	PRIVACY WITH DEADBOLT INDICATOR: Single point lock. Latchbolt is operated by either lever at all times. Deadbolt activated by emergency key on outside; inside by T-turn. Occupancy indicator displays "In Use" when deadbolt thrown or "Vacant" when deadbolt retracted. Interior lever retracts latch and deadbolt simultaneously.
	YR872	ENTRY: Dual point lock. Lever unlocks from outside by key; interior lever free egress. Deadbolt activated by key on outside; inside by T-turn. Interior lever retracts latch and deadbolt simultaneously.

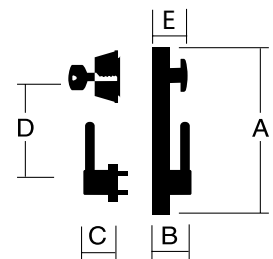
Product Specifications

Door Specs	2 1/8" Face Bore, 1" Edge Bore, 4" or 5 1/2" Center to Center
Backset	2 3/8" (60mm) or 2 3/4" (70mm)
Door Thickness	1 3/8" (35mm) to 1 3/4" (44mm)
Cylinder	KW-1 Compatible standard, other cylinders/keyways available to order
Keying	KD (Keyed Different) standard, master keying available to order
Latch Faceplate	1" (25mm) W x 2 1/4" (57mm) H; Round Corner standard, Square Corner available to order
Strike	2 1/4" (57mm) Full Lip; Round Corner standard, other strikes available to order.
Certified ANSI/BHMA	A156.12, Grade 2
UL/cUL	Listed for 90 minute fire doors

DIMENSIONS	A	B	C	D	Width
Based on Woodland Lever					
PASSAGE					
Lever	10 8/16"	2 5/8"	2 1/2"	4"	2 13/16"
	12 1/8"			5 1/2"	
ENTRY					
Lever	10 8/16"	2 5/8"	2 1/2"	4"	2 13/16"
	12 1/8"			5 1/2"	



Mechanical View



Price List

YH Collection Grade 2

BOX PACK LIST PRICE

Interconnected

Available lever styles shown below.
Premier Deadbolt - Standard KW, SC, Para
D200 Deadbolt - GA, SFIC, Others
90 Min UL Rating Standard

DESIGN	FUNCTION NO BHMA	US3 605	US15 619	SB Suede Black	US26D 626	10BE 613E	10BP
Note: FLASHship™ orders over 50 pieces need to be ordered factory direct							
YR852 Single Locking All Levers	Interconnect	852	190.00	190.00	190.00	190.00	210.00 210.00
YR872 Double Locking All Levers	Interconnect	872	230.00	230.00	230.00	230.00	250.00 250.00
YR853 Privacy with Indicator All Levers	Interconnect	853	190.00	190.00	190.00	190.00	210.00 210.00

ACADEMY



McCLURE



PACIFIC BEACH
(FORMERLY CASCADE)



AUGUSTA
(FORMERLY CITADEL)



MILAN



WOODLAND



DELAWARE



MONROE
(FORMERLY MERIDIAN)



VALDOSTA



MARINA



NORWOOD*



*ships standard

VIRGO



INTERCONNECT PASSAGE LEVER PAIRS

Design	Part #	US26D	US15
Academy (Passage lever Pair)	YR05D67*	15.80	15.80
Augusta (Passage lever Pair)	YR05D66*	15.80	15.80
Delaware (Passage lever Pair)	YR05D6D*	15.80	15.80
Marina (Passage lever Pair)	YR05D64*	15.80	15.80
McClure (Passage lever Pair)	YR05D65*	15.80	15.80
Milan (Passage lever Pair)	YR05D63*	15.80	15.80
Monroe (Passage lever Pair)	YR05D6W*	15.80	15.80
Norwood (Passage lever Pair)	YR05D68*	15.80	15.80
Pacific Beach (Passage lever Pair)	YR05D62*	15.80	15.80
Valdosta (Passage lever Pair)	YR05D6V*	15.80	15.80
Virgo (Passage lever Pair)	YR05D61*	15.80	15.80
Woodland (Passage lever Pair)	YR05D69*	15.80	15.80

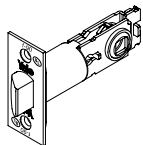
OPTIONS

Less Cylinder (LC)	\$0.00 No deductions	
SFIC (LC only)	\$0.00 No deductions	Lock SFICLC only. A600 or K600 available thru YC, should be listed as a separate line item. To order specify SFIC. 872/SFIC only available with Augusta, Monroe or Pacific Beach
LFIC (LC only)	No deductions	Lock LFICLC only. 1210, 5210 or K800 core available thru YC, should be listed as a separate line item. To order specify YR852 x LFIC.
Arrow Keyway Para Keyway GA Keyway	\$0.00 No adder \$0.00 No adder \$0.00 No adder	To order specify "AR" keyway.
Other YC keyways and Cylinder formats	\$0.00 No deductions	Extend leadtime for BK, MK, GMK, etc.
KW1 cylinder separately 6 pin	\$9.90	1. Specify less core when ordering through Yale Residential. 2. Order cylinder through Yale Commercial.
Schlage C separately 6-pin	\$9.90	See page 89 for cylinder options and part numbers.
Yale Para separately 6 pin	\$14.10	See page 89 for cylinder options and part numbers.
1803 Cylinder separately D Series Deadbolt Latches		Order through Yale Commercial DB = 1803-134S and Lever = 1803-54K Order through Arrow
Arrow cylinders separately		DB = 692C x 6 pin and Lever = 100YC x 6 pin

Yale Real Living® Interconnected

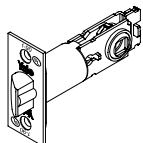
LOCKSET LATCHES

PLAIN SPRING LATCHES



BACKSET	FRONT WIDTH	THROW	LATCH DIAMETER**	CORNER SPECS	MODEL NO	LIST PRICE
2-3/8" (60mm)	1" (25mm)	1/2" (13mm)	7/8" (22mm)	Radius	YR01802*U	\$12.30
2-3/8" (60mm)	1" (25mm)	1/2" (13mm)	7/8" (22mm)	Square	YR01804*U	\$12.30
2-3/4" (70mm)	1" (25mm)	1/2" (13mm)	7/8" (22mm)	Radius	YR01806*U	\$12.30
2-3/4" (70mm)	1" (25mm)	1/2" (13mm)	7/8" (22mm)	Square	YR01808*U	\$12.30

DEADLOCKING LATCHES

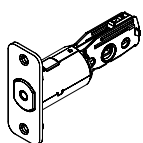


BACKSET	FRONT WIDTH	THROW	LATCH DIAMETER**	CORNER SPECS	MODEL NO	LIST PRICE
2-3/8" (60mm)	1" (25mm)	1/2" (13mm)	7/8" (22mm)	Radius	YR01812*U	\$12.30
2-3/8" (60mm)	1" (25mm)	1/2" (13mm)	7/8" (22mm)	Square	YR01814*U	\$12.30
2-3/4" (70mm)	1" (25mm)	1/2" (13mm)	7/8" (22mm)	Radius	YR01816*U	\$12.30
2-3/4" (70mm)	1" (25mm)	1/2" (13mm)	7/8" (22mm)	Square	YR01818*U	\$12.30

*Specify finish when ordering.

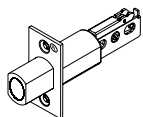
MECHANICAL DEADBOLT LATCHES

For use with Yale PARA, Kwikset and Schlage C keyway cylinders



BACKSET	FRONT WIDTH	THROW	CORNER SPECS	MODEL NO	LIST PRICE
Adjustable^	1" (25mm)	1" (25mm)	Square	YR01D44*U	\$14.10
Adjustable^	1" (25mm)	1" (25mm)	Radius	YR01D41*U	\$14.10

For use with SFIC, Arrow and Yale Commercial keyway cylinders.



BACKSET	FRONT WIDTH	THROW	CORNER SPECS	MODEL NO	LIST PRICE
2-3/8" Fixed	1" (25mm)	1" (25mm)	Square	D38*	**
2-3/8" Fixed	1" (25mm)	1" (25mm)	Radius	D38R*	**
2-3/4" Fixed	1" (25mm)	1" (25mm)	Square	D34*	**
2-3/4" Fixed	1" (25mm)	1" (25mm)	Radius	D34R*	**

ELECTRONIC DEADBOLT LATCHES

BACKSET	FRONT WIDTH	THROW	CORNER SPECS	MODEL NO	LIST PRICE
Adjustable^	1" (25mm)	1" (25mm)	Radius	AYRDB*U	

*Specify finish when ordering.

FIXED CORE CYLINDERS

LOCK TYPE	KEYWAY	DESCRIPTION	MODEL NUMBER		NUMBER OF PINS	LIST PRICE
			LOCKSET	DEADBOLT		
Mechanical	Kwikset®	Standard cylinder. Available 1-bitted, KA, KD (std), MK, BK	YR06D013 (605)	YR06D103ICN (605)	6	\$9.90
		Optional cylinder. Available 0-bitted, KD, KA, MK, BK	YR06D016 (626)	YR06D106ICN (626)		
	Yale® PARA	Optional cylinder. Available 0-bitted, KD, KA, MK, BK	YR06Y303 (605)	YR06Y413ICN (605)	6	**
		Optional cylinder. Available 0-bitted, KD, KA, MK, CMK extend leadtime for BK, MK, GMK, etc.	YR06Y306 (626)	YR06Y416ICN (626)		
	Arrow AR	Optional cylinder. Available KA, KD	1803-54K	1803-134S	6	**
	Schlage® C	Optional cylinder. Available 0-bitted, KD, KA, MK, BK	100YC	692C	6	**
Electronic	Kwikset®	Standard cylinder. Available KA, KD (std), MK	YR068D01 (605)	YR068D02ICN (605)	6	\$14.10
		Optional cylinder. Available 0-bitted, KD, KA, MK, BK	YR068D05 (626)	YR068D06ICN (626)		
	Yale® PARA	Optional cylinder. Available KA, KD (std), MK	N/A	AYRD200-KW	5	\$14.10
		Optional cylinder. Available 0-bitted, KD, KA, MK, BK	N/A	AYRD200-PA	6	**
Schlage® C	Optional cylinder. Available 0-Bitted, KA, KD, MK	N/A	AYRD200-SC	5	\$14.10	

605 finish cylinders used with 605, 613E and 10BP finish locks. 626 finish cylinders used with 619 and 626 finish locks. Specify finish and keying when ordering.

**Note: Other Yale Commercial keyways and cylinder mechanisms available separately. Contact customer service for availability. Specify finish and keying when ordering.

INTERCHANGEABLE CORE

Small Format – Small format interchangeable core is available. To order, specify "x SFIC-LC" for cylinder. i.e. AU x YR852 x SFIC-LC x 4" x 626. For entry functions, SFIC is available with for AU, MO and PB designs only. All units will be provided less core. Model number A600 or K600 cores can be ordered separately through Yale Commercial.

Large Format – Yale Commercial large format interchangeable core is available for passage function. To order, specify "x LFIC-LC" for cylinder. i.e. AU x YR852 x LFIC-LC x 4" x 626. All units will be provided less 6-pin core only. LFIC cores can be ordered separately through Yale Commercial.



The world's favorite lock

Yale Locks & Hardware

225 Episcopal Road
Berlin, CT 06037 USA
Tel 1-800-438-1951 Fax 1-800-338-0965
YaleHome.com

ASSA ABLOY Door Security Solutions Canada

160 Four Valley Drive
Vaughan, Ontario L4K 4T9
Tel 1-800-461-3007 Fax 1-800-461-8989
www.assaabloydss.ca

Yale Locks & Hardware is a division of Yale Security Inc., an ASSA ABLOY Group company. Yale®, Yale Real Living®, Assure Lock®, Look Door Viewer®, New Traditions®, and Yale Edge Series® are registered trademarks of Yale Security Inc., an ASSA ABLOY Group Company. B1L Lock™, T1L Lock™, YH Collection™, nexTouch™ and FLASHship™ are trademarks of Yale Security Inc., an ASSA ABLOY Group Company. Other products' brand names may be trademarks or registered trademarks of their respective owners and are mentioned for reference purposes only. These materials are protected under US copyright laws. All contents current at time of publication. Yale Security Inc., an ASSA ABLOY Group Company, reserves the right to change availability of any item in this price book, its design, construction and/or its materials. Copyright 2017. Yale Security Inc., an ASSA ABLOY Group Company. All rights reserved. Reproduction in whole or in part without the express written permission of Yale Security Inc., an ASSA ABLOY Group Company, is prohibited.

YALE, with its unique global reach and range of products, is the world's favorite lock.

ASSA ABLOY is the global leader in door opening solutions, dedicated to satisfying end-user needs for security, safety and convenience.

099503 9/17E